



VSC SERIES 50 Hz

SS Cast Submersible Pump 8" / 10"



OVERVIEW SS CAST VSC SUBMERSIBLE PUMPS

APPLICATIONS

- Municipal water works
- Water distribution and pressure boosting
- Irrigation and sprinkler systems, water treatment plants, filtration and reverse osmosis
- Industrial cooling and processing
- Mining industry, drainage and dewatering
- Fire-fighting equipment
- Fountains
- Petrochemistry, Offshore
- General Industry

FEATURES

- 8": VSC 114 - 132 - 156
- 10": VSC 204 - 264 - 304
- Cast Stainless Steel impellers and diffusers for high corrosion and abrasion resistance
- Robust, compact and reliable design
- Built-in check valve to protect the pump against water hammer
- The hydraulic design is such to enhance the overall efficiency thus reducing energy consumption and making the pumping systems more cost effective

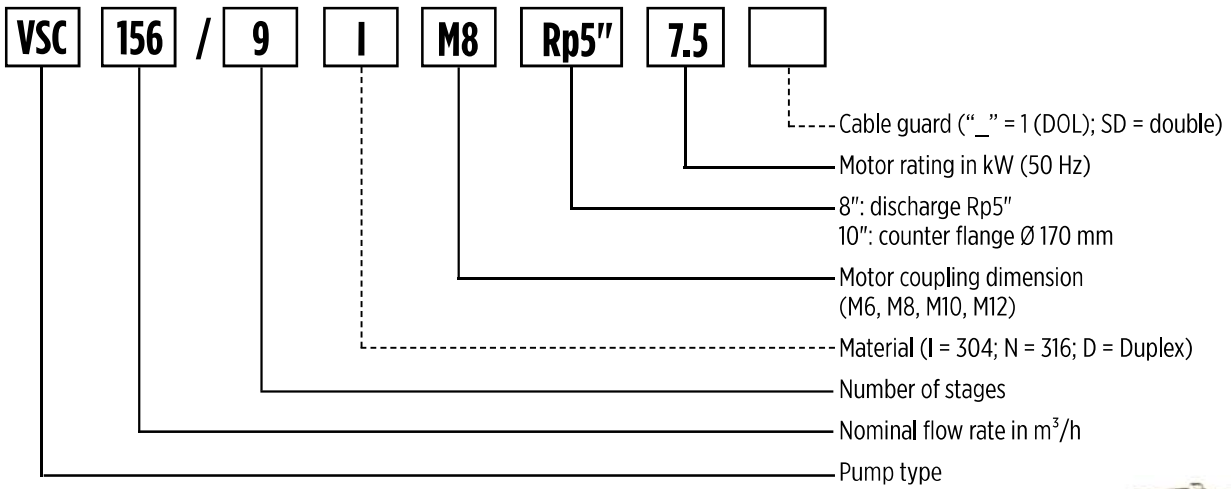
SPECIFICATION

- Flow:
 - 8": up to 192 m³/h at 50 Hz
 - 10": up to 348 m³/h at 50 Hz
- Head:
 - 8": up to 473 m at 50 Hz
 - 10": up to 484 m at 50 Hz
- Maximum allowable amount of sand: 100 g/m³
- Water temperature: from -5 °C to +60 °C
- Rotation: counter clockwise when looking into the discharge
- Operation in vertical or horizontal position
- The hydraulic characteristics are guaranteed, according to ISO standard 9906:2012, grade 3B

OPTIONS

- YΔ version with second cable guard
- 316 SS & Duplex version
- discharge:
 - 8": Rp5"
 - 10": counter flange (Rp6" as of Q4/2018)
- 10" counter flange (order no. 14262101)
- Other flows

PUMP IDENTIFICATION CODE

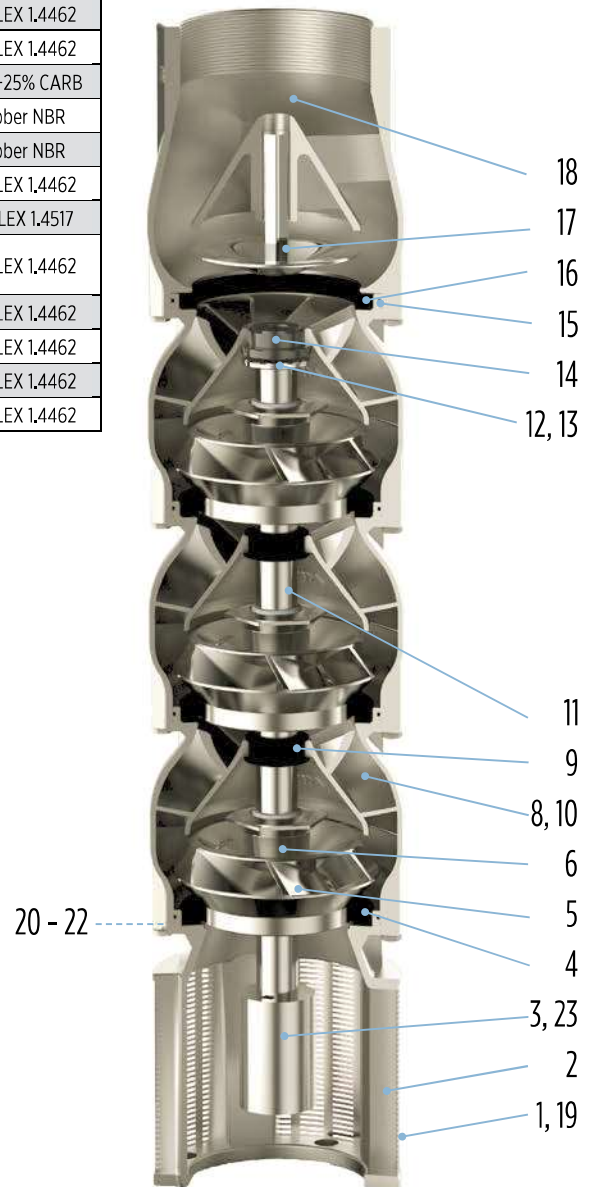


MATERIALS / FLUIDS COMPATIBILITY

VSC 114 / 132 / 156

Pos.	Description	Material		
		I Version	N Version	D Version
1	SUCTION STRAINER	AISI 304	AISI 316	DUPLEX 1,4462
2	MOTOR FLANGE	AISI 304	AISI 316	DUPLEX 1,4517
3	COUPLING	AISI 304 > 75 kW: DUPLEX	DUPLEX 1,4462	DUPLEX 1,4462
4	NECK RING	Rubber NBR	Rubber NBR	Rubber NBR
5	IMPELLER	AISI 304	AISI 316	DUPLEX 1,4517
6	SPLIT CONE	AISI 304	AISI 316	DUPLEX 1,4462
8	DIFFUSER	AISI 304	AISI 316	DUPLEX 1,4517
9	BEARING BUSH	Rubber NBR	Rubber NBR	Rubber NBR
10	DIFFUSER SCREW SET (8 pieces)	AISI 304	AISI 316	DUPLEX 1,4462
11	SHAFT	AISI 304 > 75 kW: DUPLEX	AISI 316 > 75 kW: DUPLEX	DUPLEX 1,4462
12	UP-THRUST DISC*	AISI 304	AISI 316	DUPLEX 1,4462
13	UP-THRUST DISC SCREW*	AISI 304	AISI 316	DUPLEX 1,4462
14	UP-THRUST WASHER	PTFE+25% CARB	PTFE+25% CARB	PTFE+25% CARB
15	O-RING	Rubber NBR	Rubber NBR	Rubber NBR
16	GASKET VALVE	Rubber NBR	Rubber NBR	Rubber NBR
17	VALVE	AISI 304	AISI 316	DUPLEX 1,4462
18	DISCHARGE Rp5"	AISI 304	AISI 316	DUPLEX 1,4517
19	SUCTION STRAINER SCREW SET (2 pieces)	AISI 304	AISI 316	DUPLEX 1,4462
20	CABLE GUARD FLANGE BOTTOM	AISI 304	AISI 316	DUPLEX 1,4462
21	CABLE GUARD FLANGE TOP	AISI 304	AISI 316	DUPLEX 1,4462
22	CABLE GUARD	AISI 304	AISI 316	DUPLEX 1,4462
23	COUPLING SCREW	AISI 304	AISI 316	DUPLEX 1,4462

* components 12 and 13 not included in pumps with 2 stages



VSC 204 / 264 / 304

Pos.	Description	Material		
		I Version	N Version	D Version
1	SUCTION STRAINER	AISI 304	AISI 316	DUPLEX 1.4462
2	MOTOR FLANGE	AISI 304	AISI 316	DUPLEX 1.4517
3	COUPLING	AISI 304 > 150 kW: DUPLEX	DUPLEX	DUPLEX 1.4462
4	NECK RING	Rubber NBR	Rubber NBR	Rubber NBR
5	IMPELLER	AISI 304	AISI 316	DUPLEX 1.4517
6	SPLIT CONE	AISI 304	AISI 316	DUPLEX 1.4462
8	DIFFUSER	AISI 304	AISI 316	DUPLEX 1.4517
9	BEARING BUSH	Rubber NBR	Rubber NBR	Rubber NBR
10	DIFFUSER SCREW SET (8 pieces)	AISI 304	AISI 316	DUPLEX 1.4462
11	SHAFT	AISI 304 > 150 kW: DUPLEX	AISI 316 > 150 kW: DUPLEX	DUPLEX 1.4462
12	UP-THRUST DISC**	AISI 304	AISI 316	DUPLEX 1.4462
13	UP-THRUST DISC SCREW**	AISI 304	AISI 316	DUPLEX 1.4462
14	UP-THRUST WASHER	PTFE+25% CARB	PTFE+25% CARB	PTFE+25% CARB
15	O-RING	Rubber NBR	Rubber NBR	Rubber NBR
16	GASKET VALVE	Rubber NBR	Rubber NBR	Rubber NBR
17	VALVE	AISI 304	AISI 316	DUPLEX 1.4462
18	DISCHARGE	AISI 304	AISI 316	DUPLEX 1.4517
19	SUCTION STRAINER SCREW SET (2 pieces)	AISI 304	AISI 316	DUPLEX 1.4462
20	CABLE GUARD FLANGE BOTTOM	AISI 304	AISI 316	DUPLEX 1.4462
21	CABLE GUARD FLANGE TOP	AISI 304	AISI 316	DUPLEX 1.4462
22	CABLE GUARD	AISI 304	AISI 316	DUPLEX 1.4462
23	COUPLING SCREW	AISI 304	AISI 316	DUPLEX 1.4462
24*	COUNTER FLANGE SCREW (8 pieces)	AISI 304	AISI 316	DUPLEX 1.4462
25*	COUNTER FLANGE SEAL	Rubber NBR	Rubber NBR	Rubber NBR
26*	COUNTER FLANGE	AISI 304	AISI 316	DUPLEX 1.4462

*component available on request as option

** components 12 and 13 not included in pumps with 2 stages

