

EGN – SUBMERSIBLE DRAINAGE PUMPS FOR CLEAN WATER

CONSTRUCTION

- Single-impeller submersible drainage pump, with open impeller with vertical threaded delivery port (G 1" ½)
- Double mechanical shaft seal with interposed oil chamber, to protect against dry-running

APPLICATIONS

- For clean water containing solids up to 10 mm grain size
- For draining rooms or emptying tanks
- Extraction of water from ponds, streams or pits and for rainwater recovery

OPERATING CONDITIONS

- Liquid temperature up to 35 °C
- Maximum immersion depth: 5 m
- Minimum immersion depth: 205 mm
- Continuous duty (with submerged motor)

MOTOR SPECIFICATION

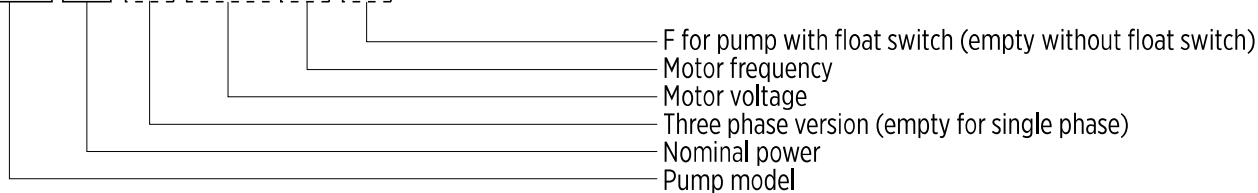
- 2-pole induction motor, 50 Hz (n ≈ 2900 rpm)
- **EGN:** Single-phase 230 V ± 10%, with float switch and thermal protector
Incorporated capacitor
Cable: H07Rn-F, 3G1 mm², length 10 m, with plug Cel-UnaL 47166; 5 m for ED5/EDV5
- **EGNT:** Three-phase 230 V ± 10%; Three-phase 400 V ± 10%
Cable: H07Rn-F, 4G1 mm², length 10 m, without plug
- Insulation class F
- Protection IPX8 (for continuous immersion)
- Triple impregnation humidity-proof dry winding
- Constructed in accordance with: EN 60034-1; EN 60335-1, EN 60335-2-41

AVAILABLE ON REQUEST

- Other voltages
- Frequency 60 Hz
- Other mechanical seal
- Cable length 20 m
- Vertical magnetic float switch
- Motor suitable for operation with frequency converter
- Three-phase pumps with incorporated float switch

PUMP IDENTIFICATION CODE

EGN 7 T 400 50 F



0046021EN 02/2018



EGN

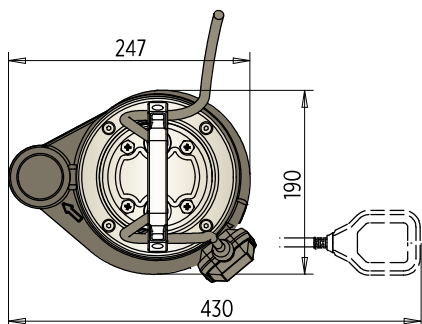
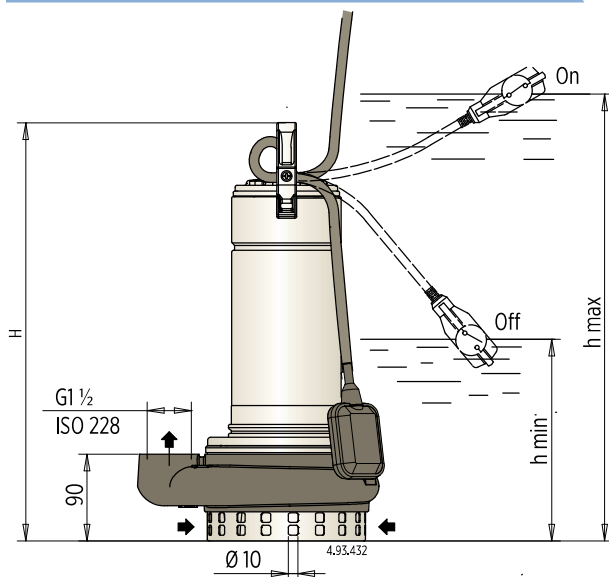
MATERIALS TABLE

Components	Materials
Pump casing / Impeller	Cast iron GJL 200 EN 1561
Motor jacket / Jacket cover / Casing cover	Chrome-nickel steel 1.4301 EN 10088 (AISI 304)
Handle	Polypropylene (with frame in AISI 304)
Shaft	Chrome-nickel steel 1.4301 EN 10088 (AISI 304)
Mechanical seal upper / Mechanical seal lower	Ceramic alumina / Carbon / NBR
Seal lubrication oil	Oil for food/pharmaceutical machinery

DIMENSIONS AND WEIGHTS

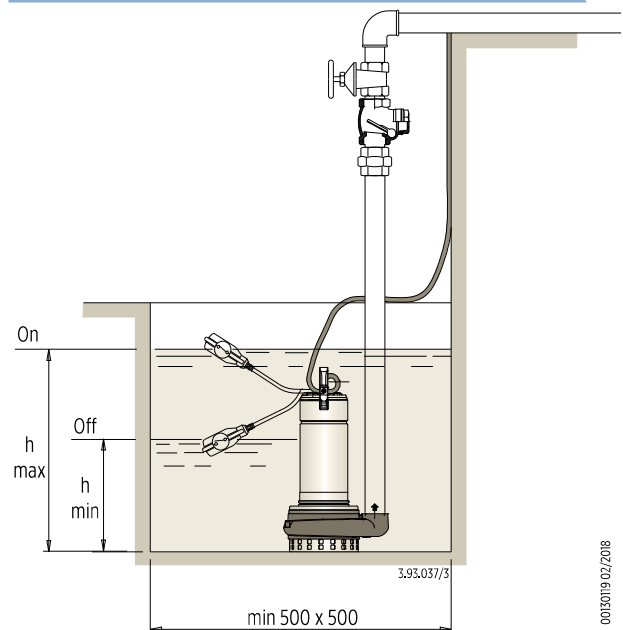
Pump model	Dimensions [mm]			Weight [kg]	
	H	h max	h min	1 ~	3 ~
EGN4(T)	390	410	205	15	14
EGN5(T)	405	425	220	15,5	14,5
EGN7(T)	405	425	220	15,5	14,5
EGN9(T)	430	450	245	18	16
EGN11(T)	450	470	265	19	17,5
EGN15T	450	470	265	-	19
EGN15	480	500	295	20,5	-

DIMENSIONS DRAWINGS



0032019 02/2018

INSTALLATION



0030119 02/2018

EGN

TABLE OF HYDRAULIC PERFORMANCE $n \approx 2900$ 1/min

Pump model	1x230 V			Capacitor		P ₂		Q = DELIVERY									
	[A]	[µf]	[Vc]	[kW]	[HP]	l/min	50	100	150	200	250	300	350	400	450	500	
						0	3	6	9	12	15	18	21	24	30	30	
EGN 4	3.1	12.5	450	0.45	0.6	10	9.5	8.8	8	6.7	5	3	-	-	-	-	
EGN 5	3.6	16	450	0.55	0.75	12	11.6	11	10.2	9	7.5	5.5	3.2	-	-	-	
EGN 7	4.6	16	450	0.75	1	14	13.5	12.8	12	10.8	9.3	7.5	5.5	3	-	-	
EGN 9	6	25	450	0.9	1.2	16	15.5	15	14.2	13.2	11.8	10.2	8	5.5	2.3	-	
EGN 11	8	30	450	1.1	1.5	18	17.5	17	16.2	15	13.7	11.8	9	7	4.3	1.5	
EGN 15	12	35	450	1.5	2	20	19.5	18.8	18	16.8	15.2	13.2	10.8	8.4	5.7	3	

Pump model	3x230 V		3x400 V		P ₂		Q = DELIVERY									
	[A]	[A]	[kW]	[HP]	l/min	50	100	150	200	250	300	350	400	450	500	
					0	3	6	9	12	15	18	21	24	30	30	
EGN 4 T	2	1.2	0.45	0.6	10	9.5	8.8	8	6.7	5	3	-	-	-	-	
EGN 5 T	2.4	1.4	0.55	0.75	12	11.6	11	10.2	9	7.5	5.5	3.2	-	-	-	
EGN 7 T	2.8	1.6	0.75	1	14	13.5	12.8	12	10.8	9.3	7.5	5.5	3	-	-	
EGN 9 T	4	2.3	0.9	1.2	16	15.5	15	14.2	13.2	11.8	10.2	8	5.5	2.3	-	
EGN 11 T	4.8	2.8	1.1	1.5	18	17.5	17	16.2	15	13.7	11.8	9	7	4.3	1.5	
EGN 15 T	6.6	3.8	1.5	2	20	19.5	18.8	18	16.8	15.2	13.2	10.8	8.4	5.7	3	

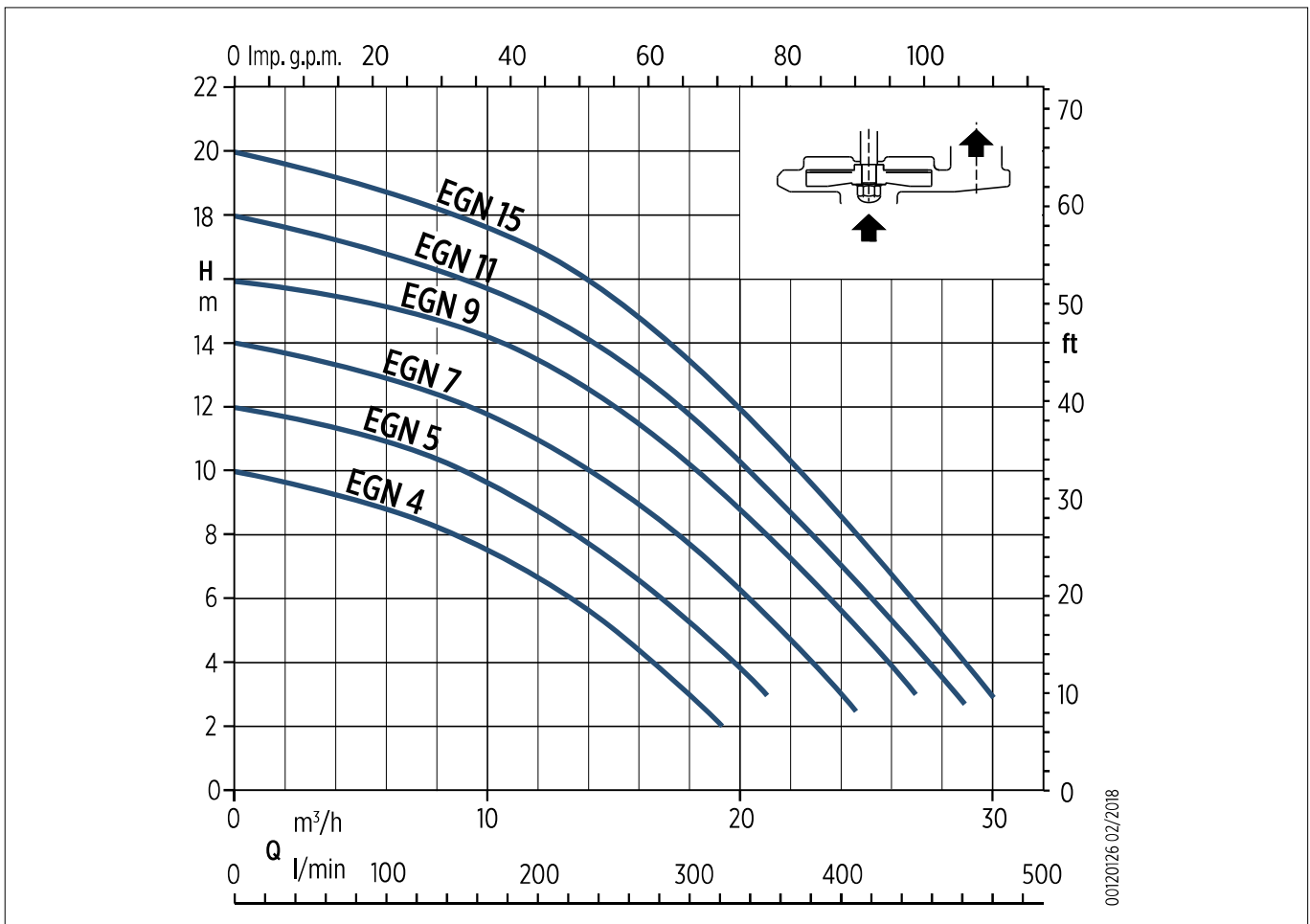
P₁: Max absorbed power

P₂: Motor nominal power

Density $\rho = 1000$ Kg/m³

Viscosity kinematic $\nu = \max 20$ mm²/sec

PERFORMANCE CURVES $n \approx 2900$ rpm



00120126 02/2018

EGN - FEATURES

Cable length 10 m,
pump single-phase with plug

Handle in polypropylene, with
frame in stainless steel

Easy inspection of the capacitor area

Easy adjustment of the float switch:
to allow the adjustment of start/stop
pump levels

Ring against accidental extraction of
the cable

Relief valve: the pump is fitted to a relief
valve for air release around the impeller
granting a proper pump priming also after
long standstill periods

The double shaft seal with oil
chamber separates the motor
from the water and provides
further protection against
accidental operation when dry

G 1 ½ vertical, upward
delivery port for installation
in small pits, without the
need for an elbow on the
pump

Pump casing with epoxy
cataphoresis treatment
joined to the external
paint for a greater
protection against the
corrosion

Chamber with
food/ pharma-ceutical
machinery oil

Shaft in chrome-nickel
stainless steel

Impeller with epoxy
cataphoresis treatment for
a greater protection against
the corrosion.

Suction strainer with a double
row of holes, for extra safety
against clogging: it allows the
passage of solids up to 10 mm

