

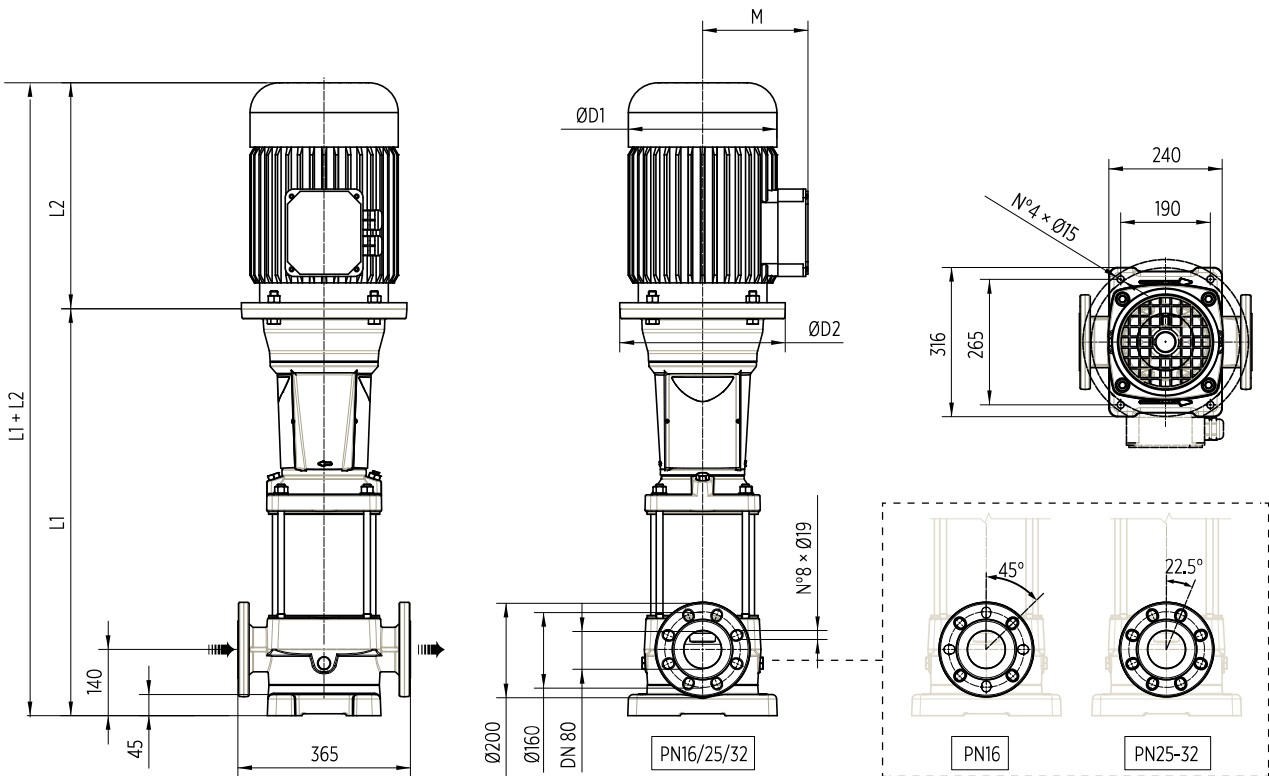
EV 45 - 50 HZ

TECHNICAL DATA

Pump Model	MOTOR		Dimensions [mm]						Weight [kg]		
	[kW]	Dim	L1	L2	M	D1	D2	L1+L2	Pump	Motor	Electric Pump
EV 45/1-1a	3	100	490	306	145	196	170	796	55	22.8	77.8
EV 45/1	4	112	490	306	145	196	170	796	55	26.5	81.5
EV 45/2-2a	5.5	132	759	328	160	225	300	1087	79	33.6	112.6
EV 45/2	7.5	132	759	350	160	225	300	1109	79	36	115
EV 45/3-2a	11	160	861	425	194	248	350	1286	86	59	145
EV 45/3	11	160	861	425	194	248	350	1286	86	59	145
EV 45/4-2a	15	160	943	476	194	248	350	1419	90	68	158
EV 45/4	15	160	943	476	194	248	350	1419	90	68	158
EV 45/5-2a	18.5	160	1026	542	238	317	350	1568	94	104	198
EV 45/5	18.5	160	1026	542	238	317	350	1568	94	104	198
EV 45/6-2a	22	180	1108	542	238	317	350	1650	98.5	106	204.5
EV 45/6	22	180	1108	542	238	317	350	1650	98.5	106	204.5
EV 45/7-2a	30	200	1195	658	297	399	400	1853	105.5	276	381.5
EV 45/7	30	200	1195	658	297	399	400	1853	105.5	276	381.5
EV 45/8-2a	30	200	1277	658	297	399	400	1935	109.5	276	385.5
EV 45/8	30	200	1277	658	297	399	400	1935	109.5	276	385.5
EV 45/9-2a	37	200	1359	658	297	399	400	2017	113.5	283	396.5
EV 45/9	37	200	1359	658	297	399	400	2017	113.5	283	396.5
EV 45/10-2a	37	200	1441	658	297	399	400	2099	117.5	283	400.5
EV 45/10	37	200	1441	658	297	399	400	2099	117.5	283	400.5
EV 45/11-2a	45	225	1523	699	328	465	450	2222	124.5	370	494.5
EV 45/11	45	225	1523	699	328	465	450	2222	124.5	370	494.5
EV 45/12-2a	45	225	1605	699	328	465	450	2304	128.5	370	498.5
EV 45/12	45	225	1605	699	328	465	450	2304	128.5	370	498.5
EV 45/13-2a	45	225	1687	699	328	465	450	2386	132.5	370	502.5

DIMENSIONAL DRAWINGS

F Version

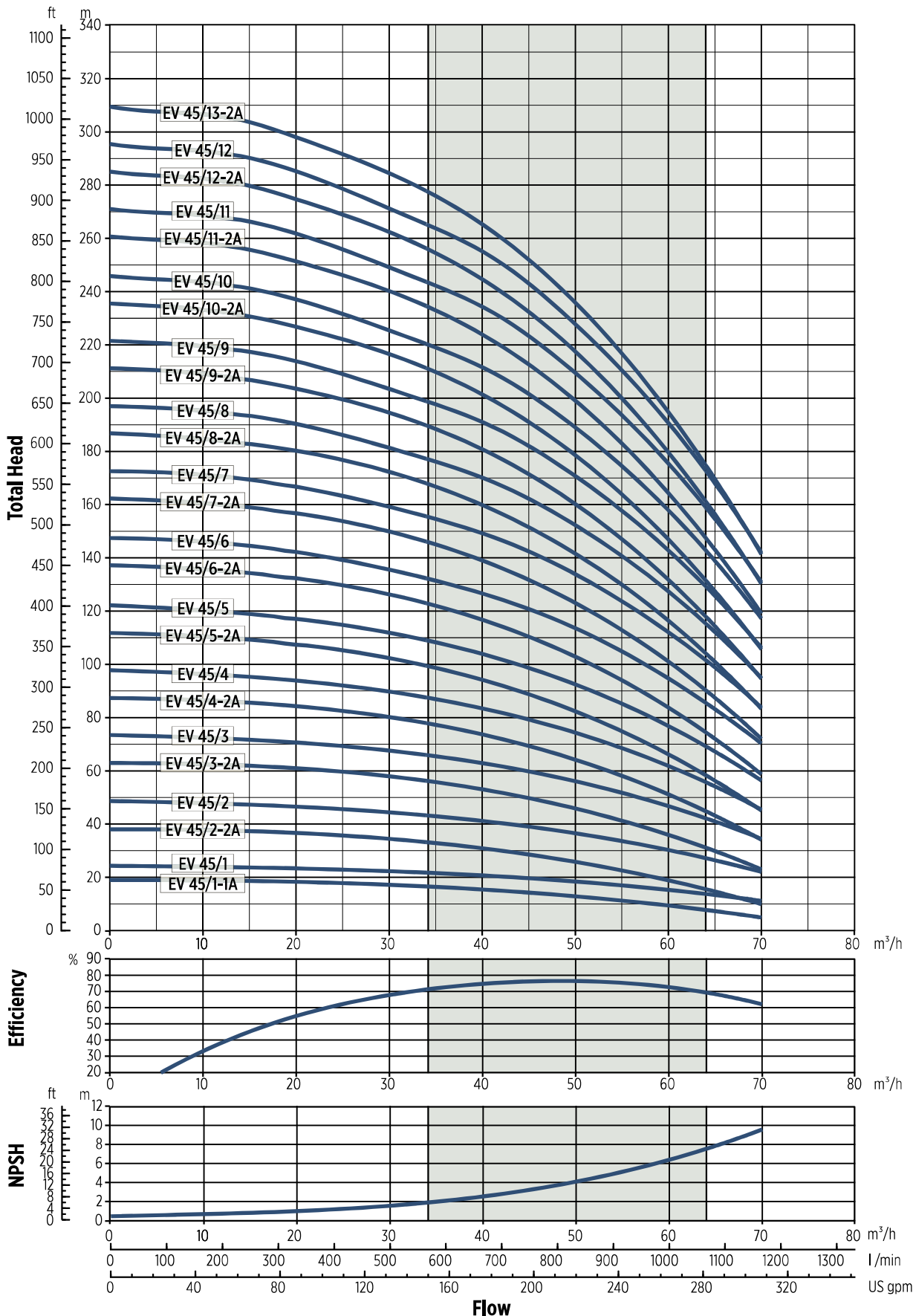


The pump is supplied without counterflanges (Optional accessories, including bolts and joints)

0030004EN 02/2018

EV 45 - PERFORMANCE CURVES AT 50 HZ

MEI ≥ 0,70



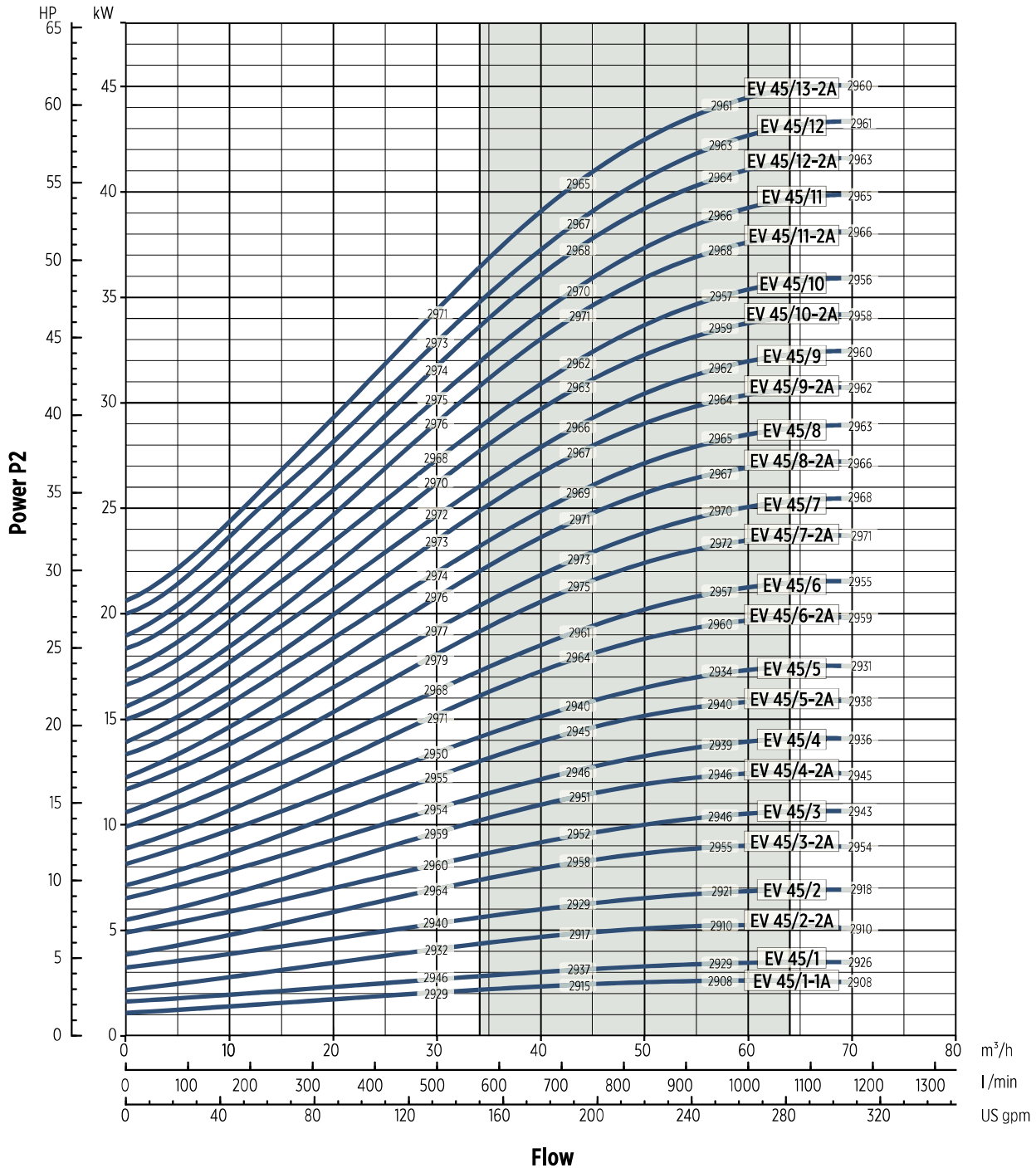
001201ZEN 02/2018

The hydraulic characteristics are guaranteed, according to ISO Standard 9906:2012, grade 3B



EV 45 - PERFORMANCE CURVES AT 50 HZ

MEI ≥ 0,70



Performance curves of Q, H and P depend on the rpm number according to the following formula:

$$Q_2 = Q_1 \cdot \left(\frac{n_2}{n_1}\right), \quad H_2 = H_1 \cdot \left(\frac{n_2}{n_1}\right)^2, \quad P_2 = P_1 \cdot \left(\frac{n_2}{n_1}\right)^3, \quad \eta \text{ remains approximately the same.}$$

The rpm number related to the performance curves (Q-H-P) is indicated in the power chart.

Performance curves (Q-H-P) will change in case a motor with rpm number different from indicated values is used.

Q=Capacity, H=Head, P=Power, η=Efficiency