

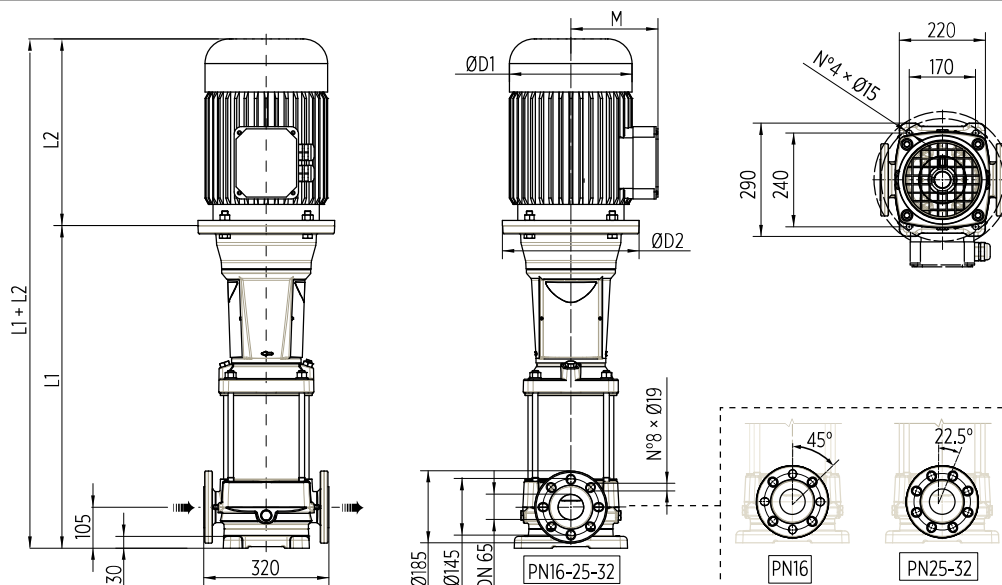
EV 30 - 50 HZ

TECHNICAL DATA

Pump Model	MOTOR		Dimensions [mm]						Weight [kg]		
	[kW]	Dim	L1	L2	M	D1	D2	L1+L2	Pump	Motor	Electric Pump
EV 30/1	2.2	90	445	267	138	180	170	712	48.5	16	64.5
EV 30/2-2a	4	112	537	306	145	196	170	843	53	26.5	79.5
EV 30/2-1a	4	112	537	306	145	196	170	843	53	26.5	79.5
EV 30/2	5.5	132	724	328	160	225	300	1052	73.5	33.6	107.1
EV 30/3-2a	5.5	132	806	328	160	225	300	1134	77.5	33.6	111.1
EV 30/3-1a	7.5	132	806	350	160	225	300	1156	77.5	36	113.5
EV 30/3	7.5	132	806	350	160	225	300	1156	77.5	36	113.5
EV 30/4-2a	7.5	132	888	350	160	225	300	1238	81.5	36	117.5
EV 30/4-1a	11	160	908	425	194	248	350	1333	84	59	143
EV 30/4	11	160	908	425	194	248	350	1333	84	59	143
EV 30/5-2a	11	160	991	425	194	248	350	1416	88	59	147
EV 30/5-1a	11	160	991	425	194	248	350	1416	88	59	147
EV 30/5	15	160	991	476	194	248	350	1467	88	68	156
EV 30/6-2a	15	160	1073	476	194	248	350	1549	92	68	160
EV 30/6-1a	15	160	1073	476	194	248	350	1549	92	68	160
EV 30/6	15	160	1073	476	194	248	350	1549	92	68	160
EV 30/7-2a	15	160	1155	476	194	248	350	1631	96	68	164
EV 30/7-1a	15	160	1155	476	194	248	350	1631	96	68	164
EV 30/7	18.5	160	1155	542	238	317	350	1697	96	104	200
EV 30/8-2a	18.5	160	1237	542	238	317	350	1779	100	104	204
EV 30/8-1a	18.5	160	1237	542	238	317	350	1779	100	104	204
EV 30/8	18.5	160	1237	542	238	317	350	1779	100	104	204
EV 30/9-2a	22	180	1319	542	238	317	350	1861	104.5	106	210.5
EV 30/9-1a	22	180	1319	542	238	317	350	1861	104.5	106	210.5
EV 30/9	22	180	1319	542	238	317	350	1861	104.5	106	210.5
EV 30/10-2a	22	180	1401	542	238	317	350	1943	108.5	106	214.5
EV 30/10-1a	22	180	1401	542	238	317	350	1943	108.5	106	214.5
EV 30/10	30	200	1406	658	297	399	400	2064	112	276	388
EV 30/11-2a	30	200	1488	658	297	399	400	2146	116	276	392
EV 30/11-1a	30	200	1488	658	297	399	400	2146	116	276	392
EV 30/11	30	200	1488	658	297	399	400	2146	116	276	392
EV 30/12-2a	30	200	1570	658	297	399	400	2228	119.5	276	395.5
EV 30/12-1a	30	200	1570	658	297	399	400	2228	119.5	276	395.5
EV 30/12	30	200	1570	658	297	399	400	2228	119.5	276	395.5
EV 30/13-2a	30	200	1652	658	297	399	400	2310	123.5	276	399.5
EV 30/13-1a	30	200	1652	658	297	399	400	2310	123.5	276	399.5
EV 30/13	30	200	1652	658	297	399	400	2310	123.5	276	399.5

DIMENSIONAL DRAWINGS

F Version

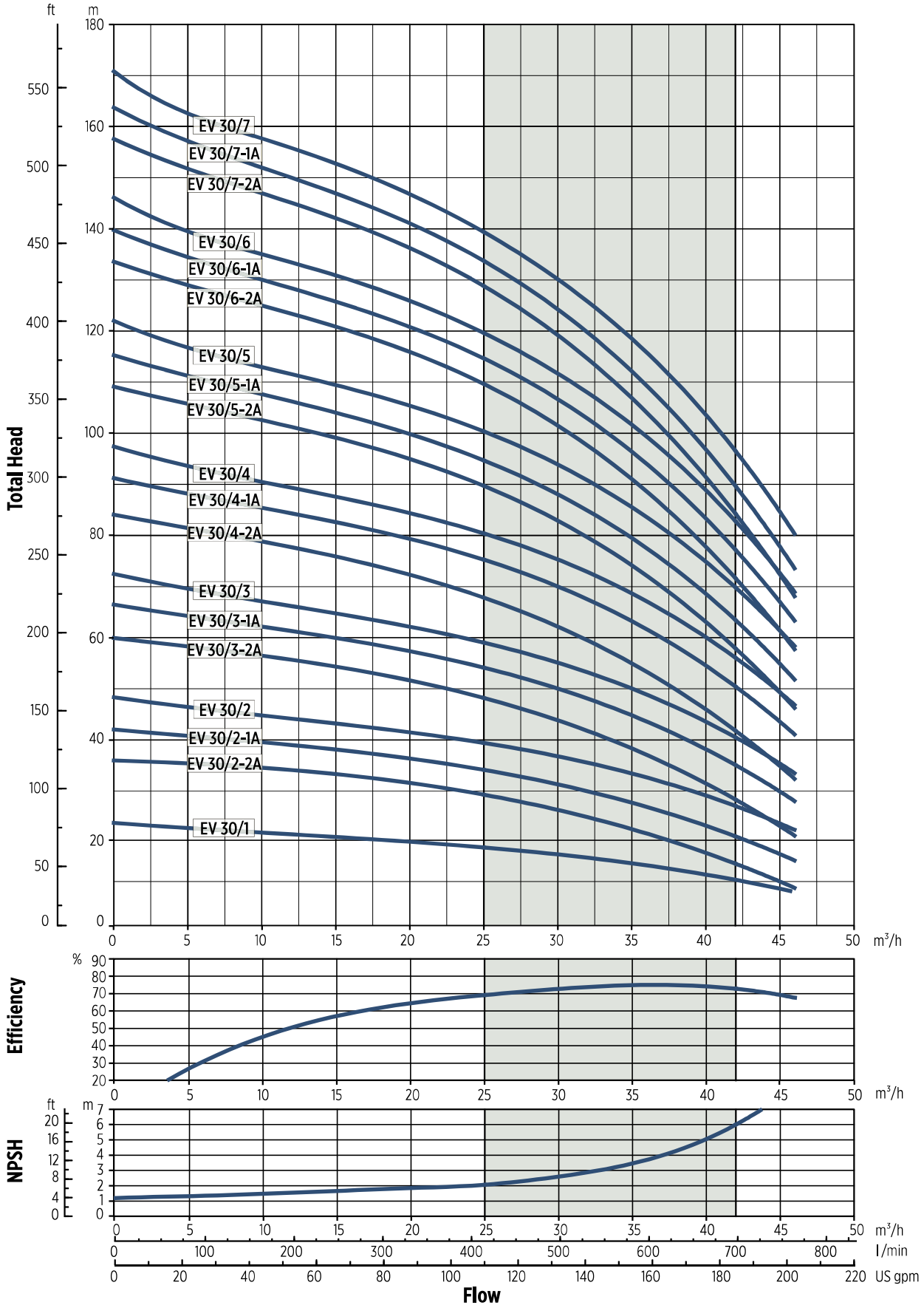


The pump is supplied without counterflanges (Optional accessories, including bolts and joints)

0015003EN 02/2018

EV 30 - PERFORMANCE CURVES AT 50 HZ

MEI ≥ 0,70



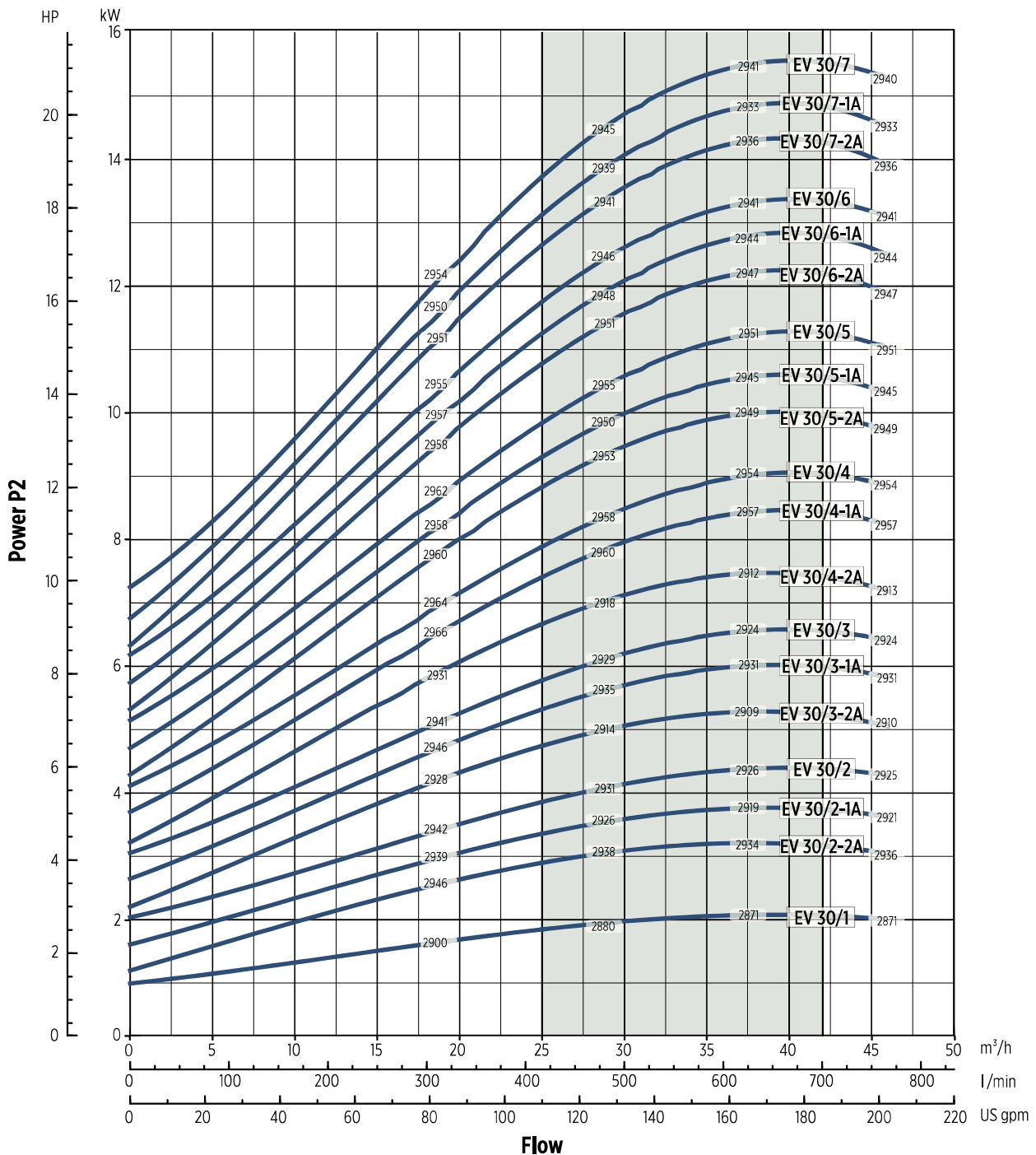
0012020AEN 02/2018

The hydraulic characteristics are guaranteed, according to ISO Standard 9906:2012, grade 3B



EV 30 - PERFORMANCE CURVES AT 50 HZ

MEI ≥ 0,70



Performance curves of Q, H and P depend on the rpm number according to the following formula:

$$Q_2 = Q_1 \cdot \left(\frac{n_2}{n_1}\right), \quad H_2 = H_1 \cdot \left(\frac{n_2}{n_1}\right)^2, \quad P_2 = P_1 \cdot \left(\frac{n_2}{n_1}\right)^3, \quad \eta \text{ remains approximately the same.}$$

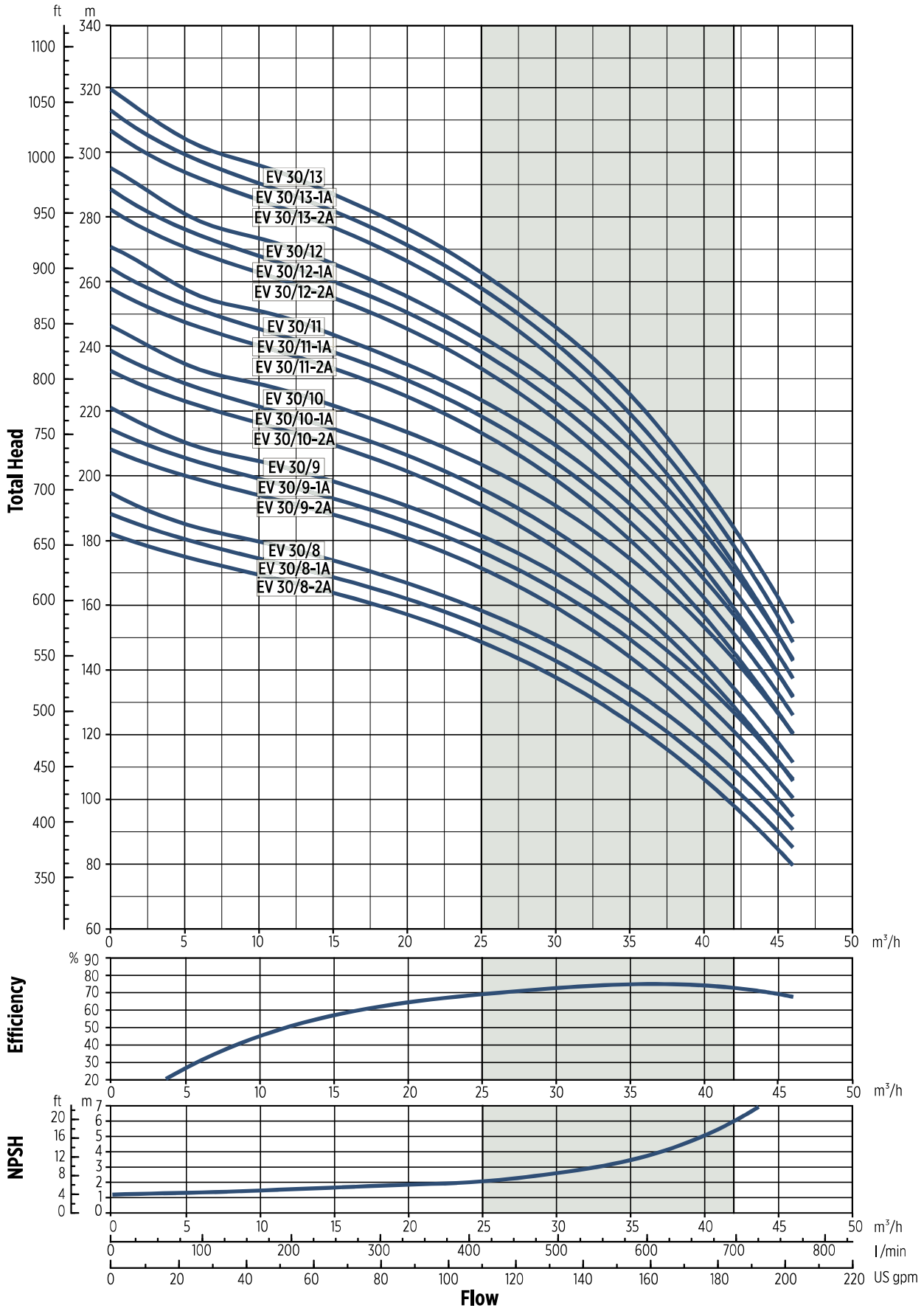
The rpm number related to the performance curves (Q-H-P) is indicated in the power chart.

Performance curves (Q-H-P) will change in case a motor with rpm number different from indicated values is used.

Q=Capacity, H=Head, P=Power, h=Efficiency

EV 30 - PERFORMANCE CURVES AT 50 HZ

MEI ≥ 0,70

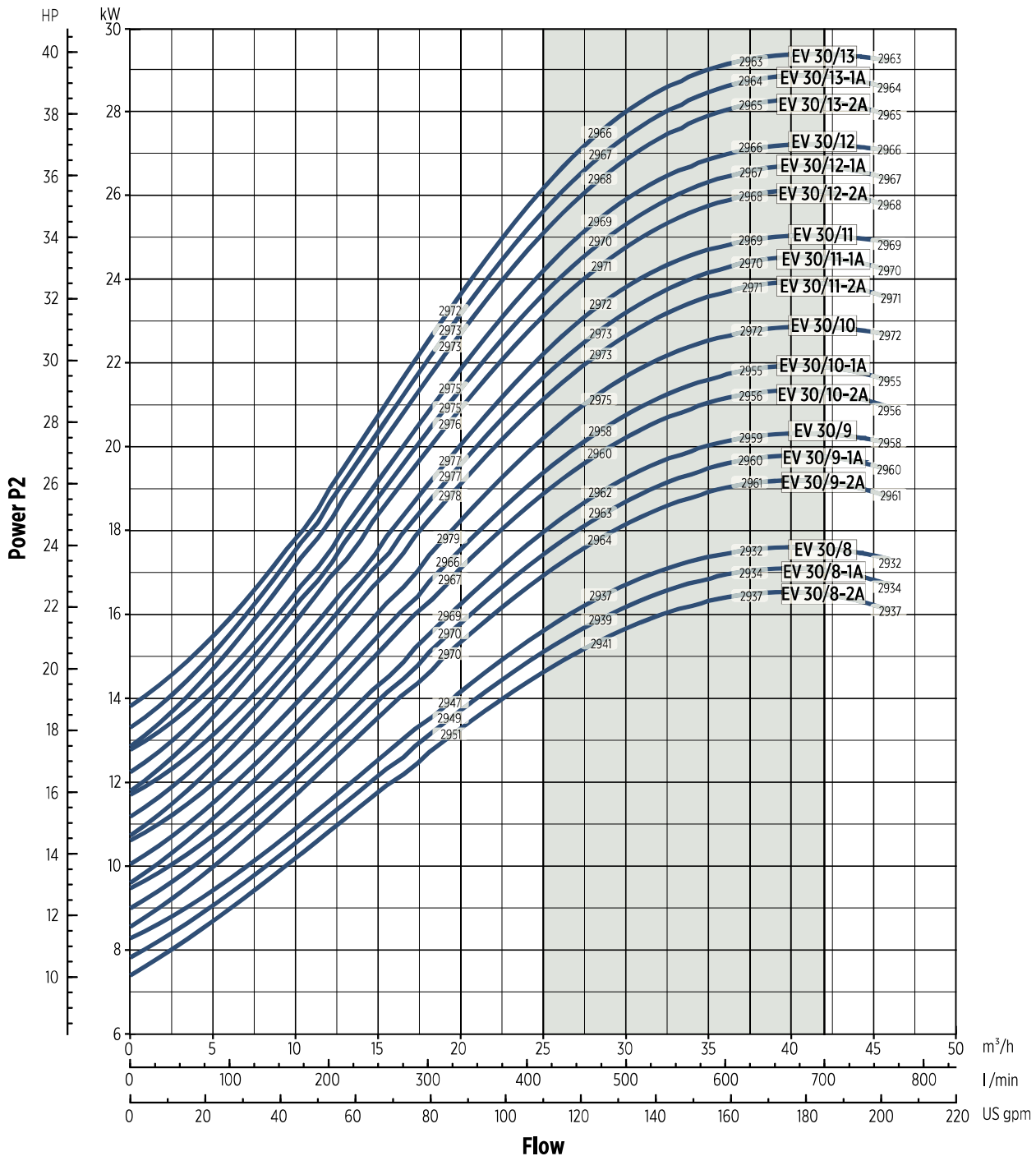


0072020BEN 02/2018

The hydraulic characteristics are guaranteed, according to ISO Standard 9906:2012, grade 3B

EV 30 - PERFORMANCE CURVES AT 50 HZ

MEI ≥ 0,70



0072010BEN 02/2018

Performance curves of Q, H and P depend on the rpm number according to the following formula:

$$Q_2 = Q_1 \cdot \left(\frac{n_2}{n_1}\right), \quad H_2 = H_1 \cdot \left(\frac{n_2}{n_1}\right)^2, \quad P_2 = P_1 \cdot \left(\frac{n_2}{n_1}\right)^3, \quad \eta \text{ remains approximately the same.}$$

The rpm number related to the performance curves (Q-H-P) is indicated in the power chart.

Performance curves (Q-H-P) will change in case a motor with rpm number different from indicated values is used.

Q=Capacity, H=Head, P=Power, h=Efficiency