

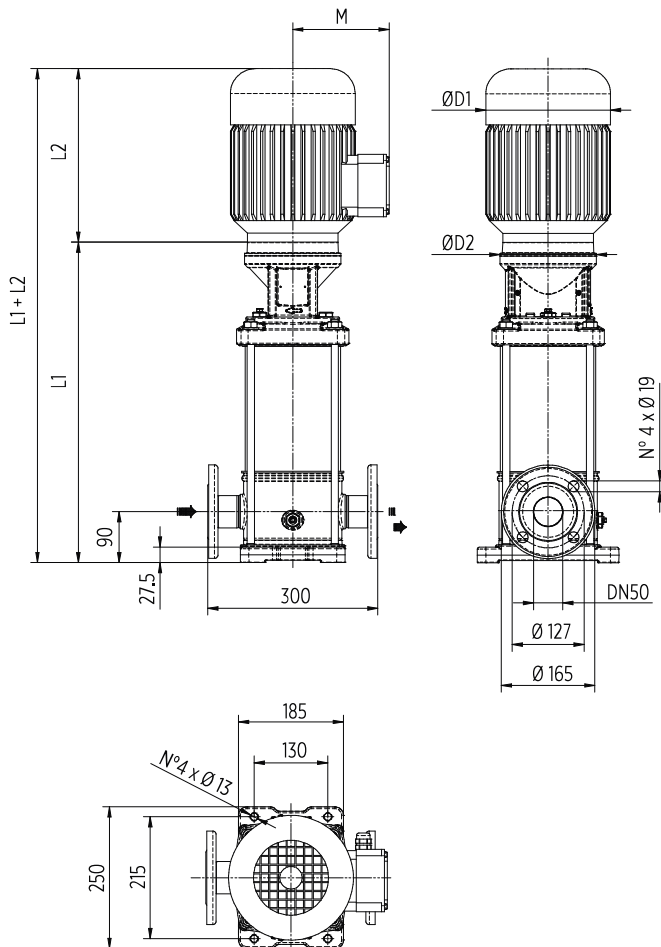
EV 15 - 50 HZ

TECHNICAL DATA

| Pump Model | MOTOR | | Dimensions [mm] | | | | | | | | | | | | | Weight [kg] | | |
|------------|-------|-----|-----------------|---------|---------|------|------|------|---------|---------|---------|---------|-----|-------|------|-------------|---------------|--|
| | | | L1 | L2 | | L3 | L4 | L5 | M | | D1 | | D2 | L1+L2 | Pump | Motor | Electric Pump | |
| | [kW] | Dim | F | 1-PHASE | 3-PHASE | T | V | C | 1-PHASE | 3-PHASE | 1-PHASE | 3-PHASE | 170 | 633 | | | | |
| EV 15/1 | 1.1 | 80 | 401 | 232 | 232 | 401 | 401 | 401 | 150 | 129 | 160 | 160 | 170 | 633 | 19.5 | 11.1 | 30.6 | |
| EV 15/2 | 2.2 | 90 | 411 | 267 | 267 | 411 | 411 | 411 | 160 | 138 | 180 | 180 | 170 | 678 | 21 | 16 | 37 | |
| EV 15/3 | 3 | 100 | 469 | - | 306 | 469 | 469 | 469 | - | 145 | - | 196 | 170 | 775 | 23 | 22.8 | 45.8 | |
| EV 15/4 | 4 | 112 | 517 | - | 306 | 517 | 517 | 517 | - | 145 | - | 196 | 170 | 823 | 24.5 | 26.5 | 51 | |
| EV 15/5 | 4 | 112 | 565 | - | 306 | 565 | 565 | 565 | - | 145 | - | 196 | 170 | 871 | 26 | 26.5 | 52.5 | |
| EV 15/6 | 5.5 | 132 | 800 | - | 328 | 800 | 800 | 800 | - | 160 | - | 225 | 300 | 1128 | 47.5 | 33.6 | 81.1 | |
| EV 15/7 | 5.5 | 132 | 848 | - | 328 | 848 | 848 | 848 | - | 160 | - | 225 | 300 | 1176 | 49 | 33.6 | 82.6 | |
| EV 15/8 | 7.5 | 132 | 896 | - | 350 | 896 | 896 | 896 | - | 160 | - | 225 | 300 | 1246 | 50.5 | 36 | 86.5 | |
| EV 15/9 | 7.5 | 132 | 944 | - | 350 | 944 | 944 | 944 | - | 160 | - | 225 | 300 | 1294 | 52 | 36 | 88 | |
| EV 15/10 | 11 | 160 | 1012 | - | 425 | 1012 | 1012 | 1012 | - | 194 | - | 248 | 350 | 1437 | 56 | 59 | 115 | |
| EV 15/11 | 11 | 160 | 1060 | - | 425 | - | 1060 | 1060 | - | 194 | - | 248 | 350 | 1485 | 57.5 | 59 | 116.5 | |
| EV 15/12 | 11 | 160 | 1108 | - | 425 | - | 1108 | 1108 | - | 194 | - | 248 | 350 | 1533 | 59 | 59 | 118 | |
| EV 15/13 | 11 | 160 | 1156 | - | 425 | - | 1156 | 1156 | - | 194 | - | 248 | 350 | 1581 | 60.5 | 59 | 119.5 | |
| EV 15/14 | 11 | 160 | 1204 | - | 425 | - | 1204 | 1204 | - | 194 | - | 248 | 350 | 1629 | 62 | 59 | 121 | |
| EV 15/15 | 15 | 160 | 1252 | - | 476 | - | 1252 | 1252 | - | 194 | - | 248 | 350 | 1728 | 63 | 68 | 131 | |
| EV 15/16 | 15 | 160 | 1300 | - | 476 | - | 1300 | 1300 | - | 194 | - | 248 | 350 | 1776 | 64.5 | 68 | 132.5 | |
| EV 15/17 | 15 | 160 | 1348 | - | 476 | - | 1348 | 1348 | - | 194 | - | 248 | 350 | 1824 | 66 | 68 | 134 | |

DIMENSIONAL DRAWINGS

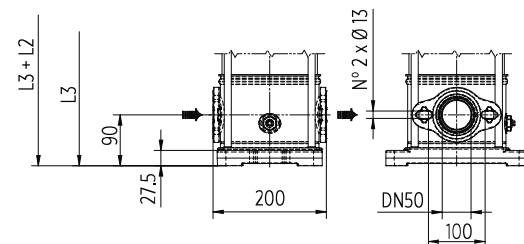
F Version



Round flanges on body type PN25: the pump is supplied without counterflanges (Optional accessories, including bolts and joints)

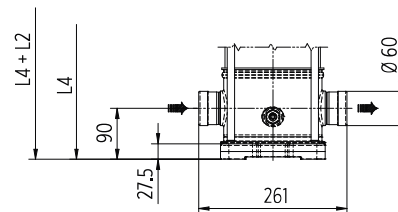
T Version

Available from EV15/1 to EV15/10



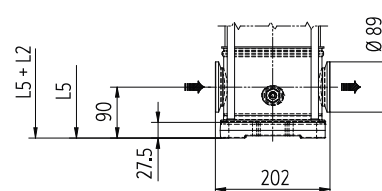
Oval flanges on body type PN16: the pump is supplied without threaded oval counter flanges (Optional accessories, including bolts and joints)

V Version



Connections with rapid fittings type "Victaulic": the pump is supplied without the collars (Optional accessories)

C Version

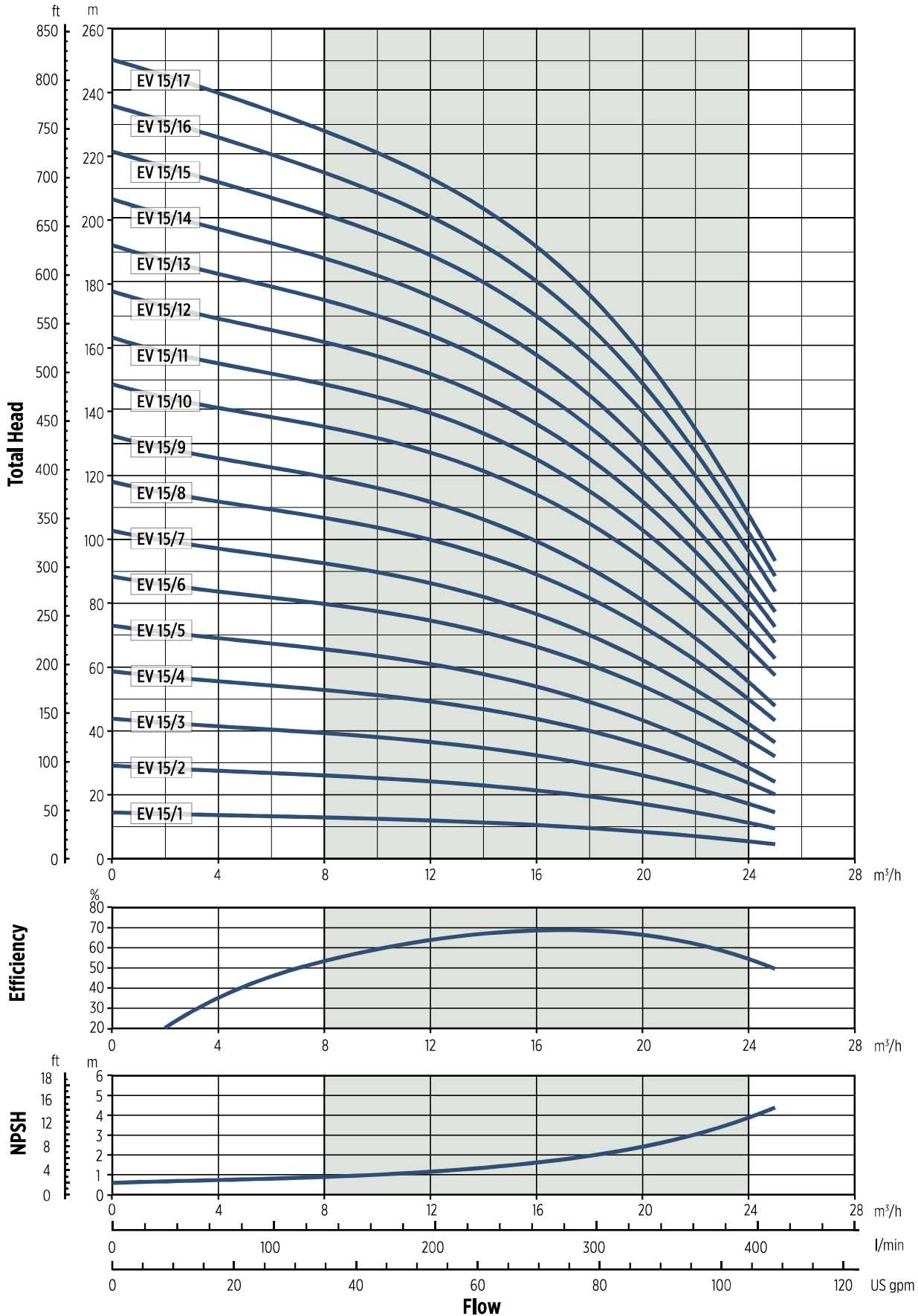


Connections with round fittings type Clamp-FlexiClamp: the pump is supplied without collars (Optional accessories)

001500ZEN 02/2018

EV 15 - PERFORMANCE CURVES AT 50 HZ

MEI ≥ 0,70

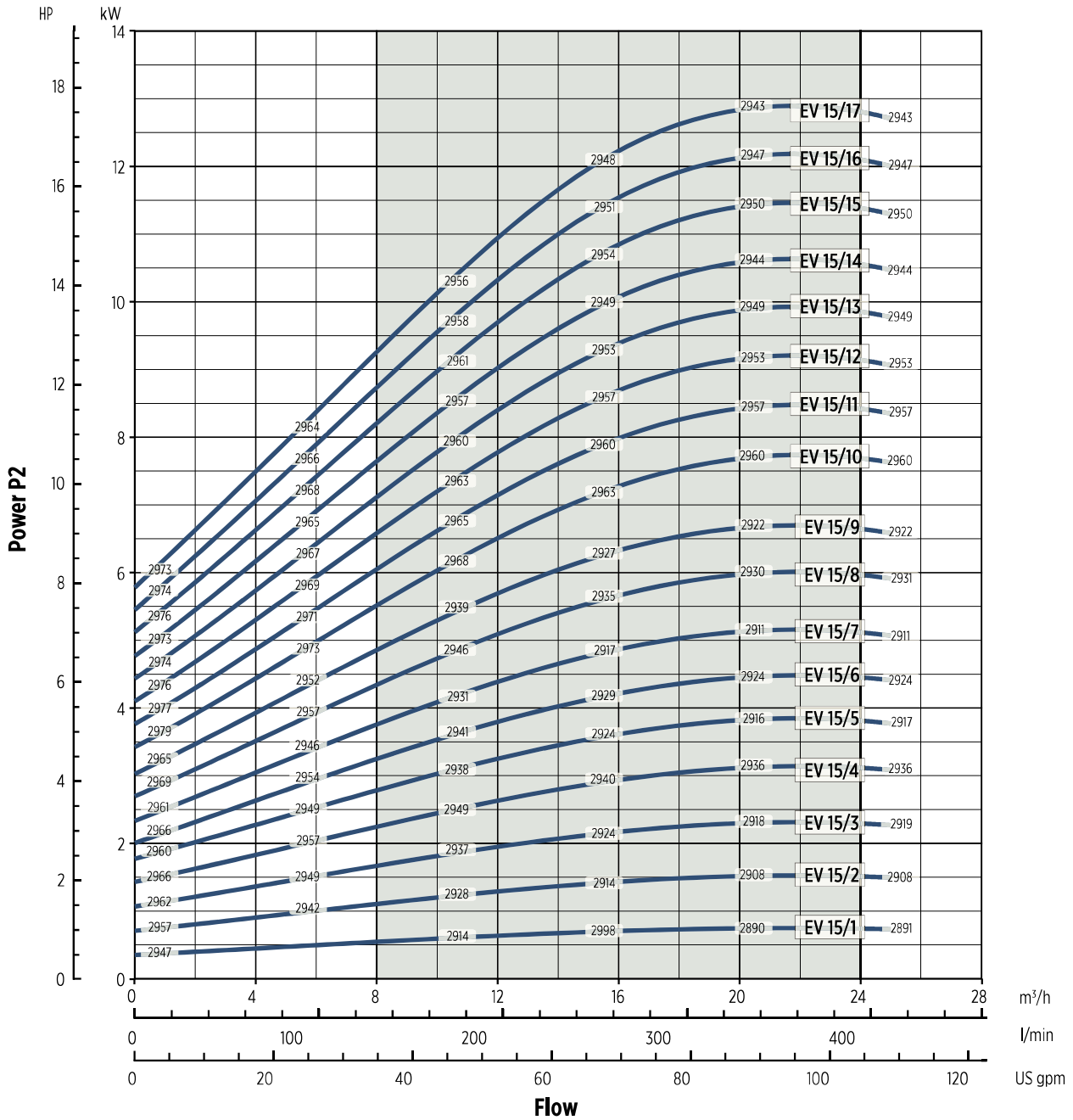


0072018EN 02/2018

The hydraulic characteristics are guaranteed, according to ISO Standard 9906:2012, grade 3B

EV 15 - PERFORMANCE CURVES AT 50 HZ

MEI ≥ 0,70



Performance curves of Q, H and P depend on the rpm number according to the following formula:

$$Q_2 = Q_1 \cdot \left(\frac{n_2}{n_1}\right), \quad H_2 = H_1 \cdot \left(\frac{n_2}{n_1}\right)^2, \quad P_2 = P_1 \cdot \left(\frac{n_2}{n_1}\right)^3, \quad \eta \text{ remains approximately the same.}$$

The rpm number related to the performance curves (Q-H-P) is indicated in the power chart.

Performance curves (Q-H-P) will change in case a motor with rpm number different from indicated values is used.

Q=Capacity, H=Head, P=Power, h=Efficiency