

EHsp 3

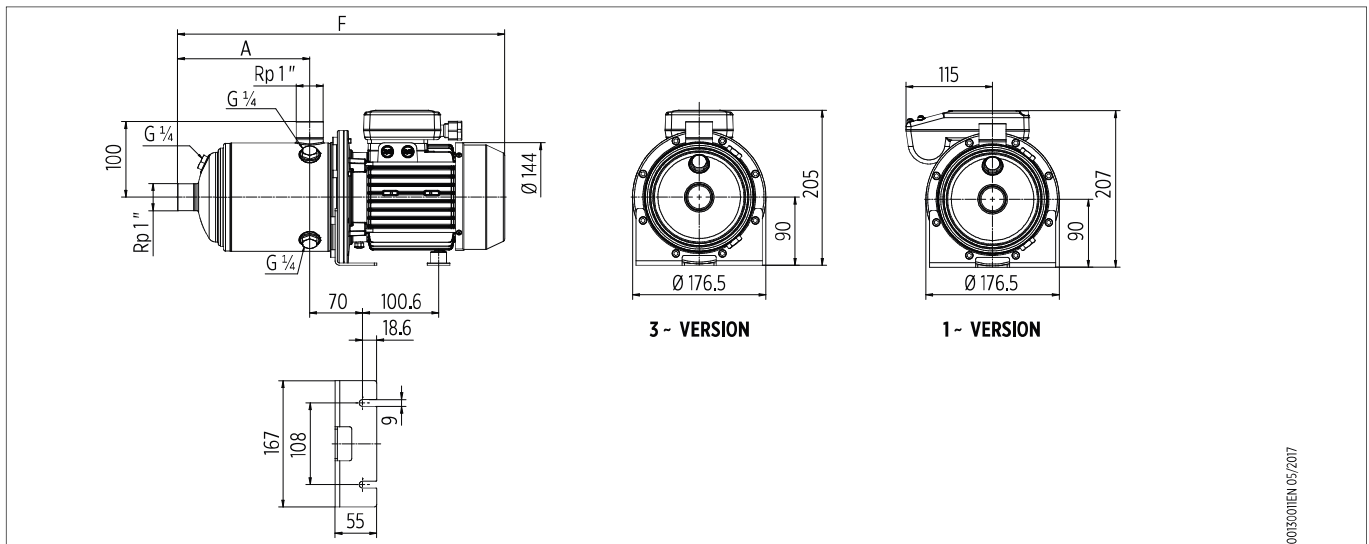
1 ~ ELECTRIC PUMP TECHNICAL DATA

Pump model	Motor size	MOTOR NOMINAL POWER		INPUT POWER [kW]	Capacitor 450V μ F	INPUT CURRENT [A] 220-240 V	Dimensions [mm]		Weight [Kg]
		[kW]	[HP]				A	F	
EHsp 3/4	71	0.55	0.75	0.79	16	3.8	175	433	12.6
EHsp 3/5	71	0.75	1	0.95	16	4.5	199	457	13

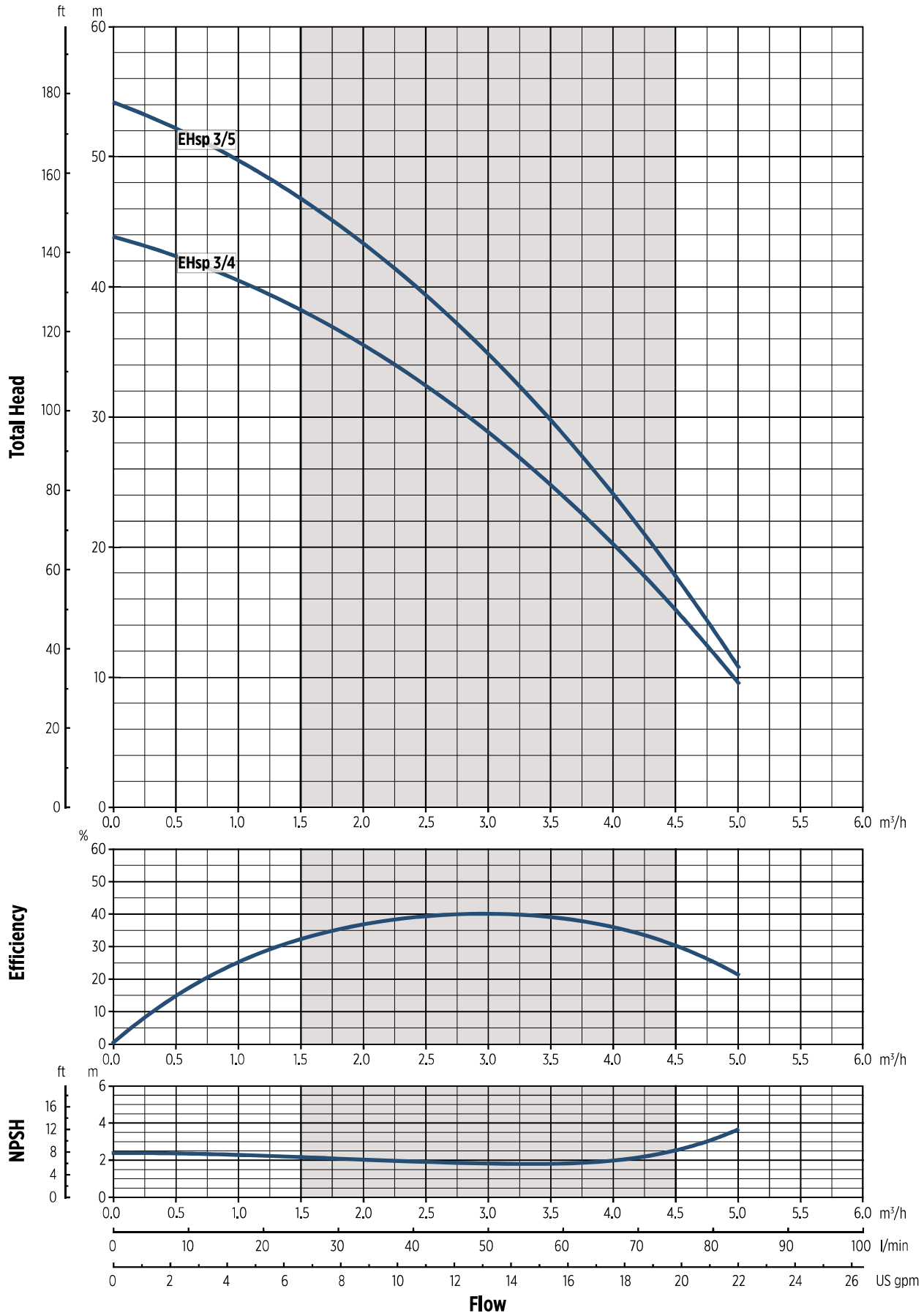
3 ~ ELECTRIC PUMP TECHNICAL DATA

Pump model	Motor size	MOTOR NOMINAL POWER		INPUT POWER [kW]	INPUT CURRENT [A] 220-240 V	Dimensions [mm]		Weight [Kg]
		[kW]	[HP]			A	F	
EHsp 3/4 T	71	0.75	1	0.75	2.4	175	435	12.2
EHsp 3/5 T	71	0.75	1	0.91	2.8	199	459	12.8

DIMENSIONAL DRAWINGS



PERFORMANCE CURVES 50 Hz



0012001EN 05/2017