

EH 9

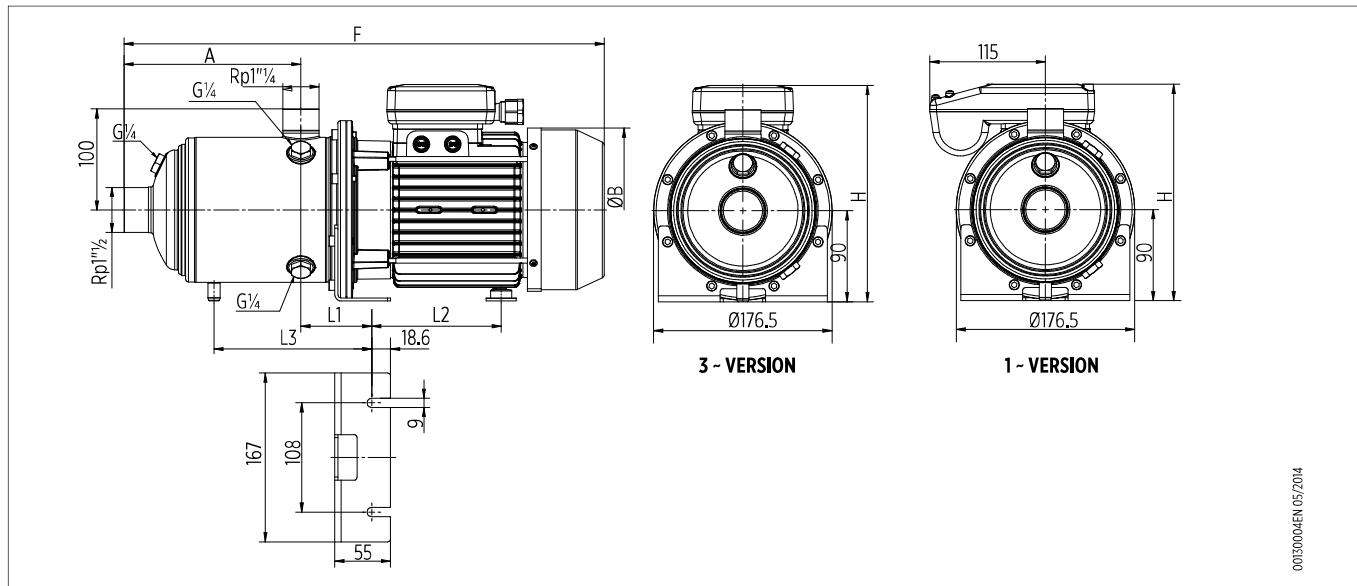
1 ~ ELECTRIC PUMP TECHNICAL DATA

Pump model	Motor Size	MOTOR NOMINAL POWER		INPUT POWER [kW]	Capacitor 450V μ F	INPUT CURRENT [A] 220-240 V	Dimensions [mm]						Weight [Kg]	
		[kW]	[HP]				A	F	\varnothing B	H	L1	L2		L3
EH 9/2	71	0.75	1	0.91	16	4.3	118	380	144	207	74	101	-	11.6
EH 9/3	71	1.1	1.5	1.35	30	6.3	118	380	144	207	74	101	-	13.2
EH 9/4	80	1.5	2	1.74	30	8.2	148	452	162	214	74	128	-	17
EH 9/5	90	2.2	3	2.51	60	11.1	178	527	179	221	74	172	-	23
EH 9/6	90	2.2	3	2.89	60	12.7	208	557	179	221	74	172	192	23.8
EH 9/7	90	2.2	3	3.30	60	14.5	238	587	179	221	74	172	222	24.4

3 ~ ELECTRIC PUMP TECHNICAL DATA

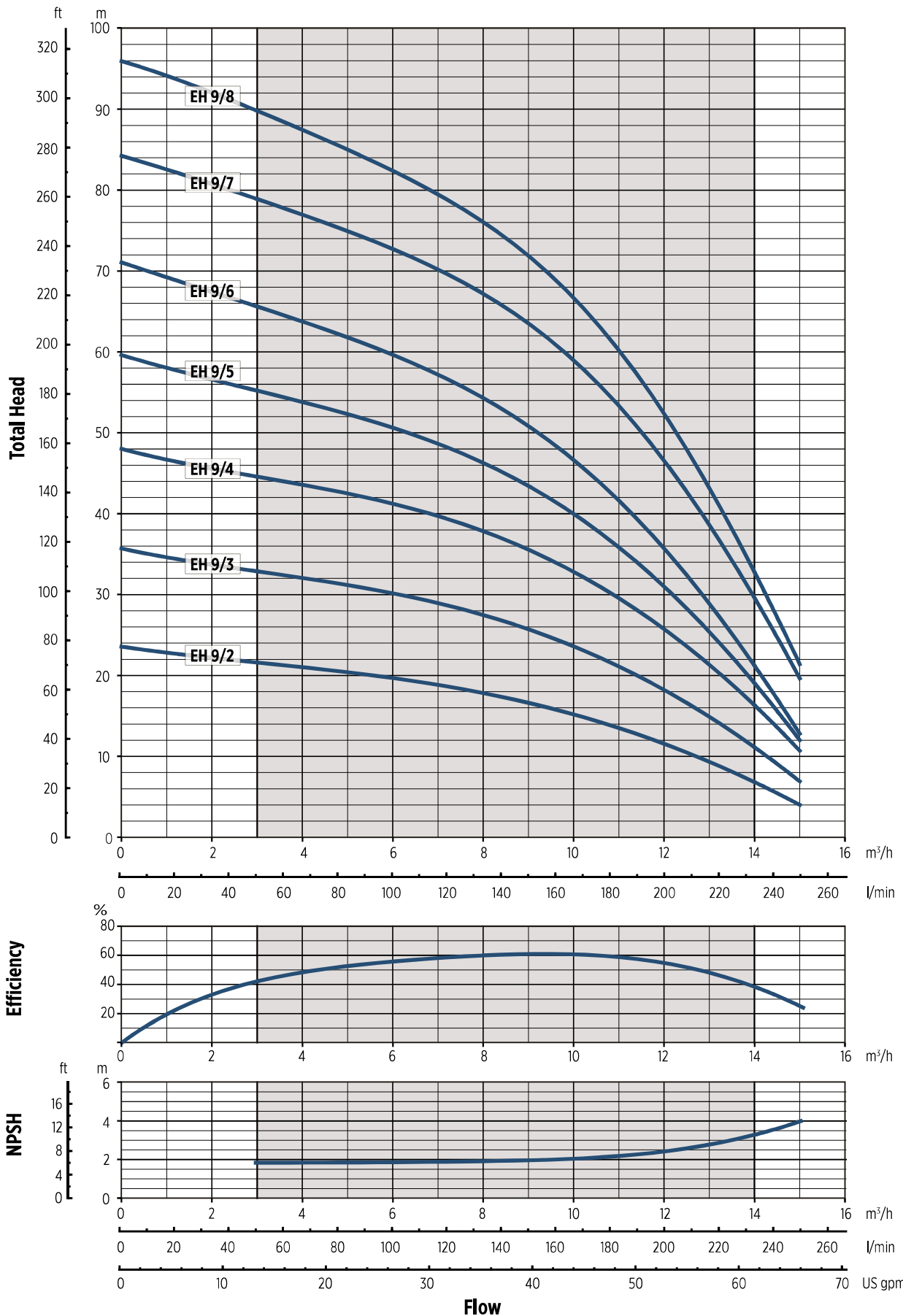
Pump model	Motor Size	MOTOR NOMINAL POWER		INPUT POWER [kW]	INPUT CURRENT [A]		Dimensions [mm]						Weight [Kg]	
		[kW]	[HP]		220-240 V	380-415 V	A	F	\varnothing B	H	L1	L2		L3
EH 9/2T	71	0.75	1	0.87	2.7	1.6	118	382	144	207	74	101	-	11.2
EH 9/3T	71	1.1	1.5	1.24	3.8	2.2	118	382	144	207	74	101	-	12
EH 9/4T	80	1.5	2	1.70	5.5	3.2	148	449	162	214	74	128	-	15.8
EH 9/5T	90	2.2	3	2.20	7.1	4.1	178	526	179	221	74	172	-	21.8
EH 9/6T	90	2.2	3	2.61	8.2	4.7	208	556	179	221	74	172	192	22.4
EH 9/7T	90	3	4	3.08	9.5	5.5	238	621	179	221	74	172	222	26
EH 9/8T	90	3	4	3.49	10.4	6.0	268	651	179	221	74	172	252	26.6

DIMENSIONAL DRAWINGS



0030004EN 05/2014

PERFORMANCE CURVES 50 Hz



0012007EN/05/2017