

EH 20

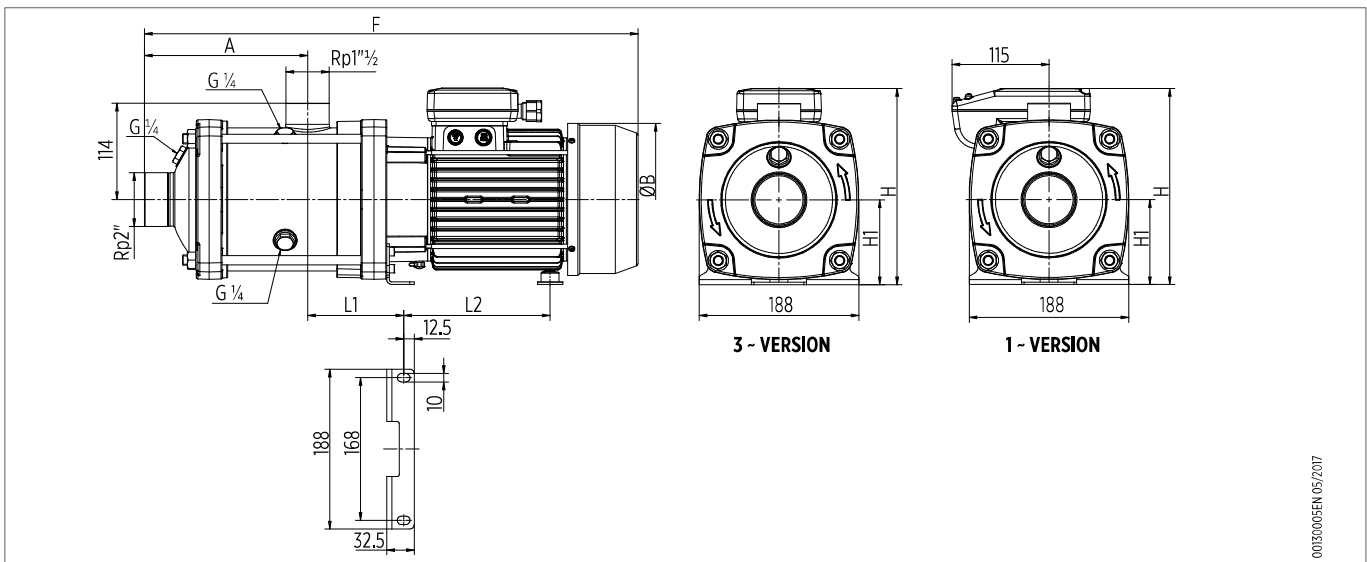
1 ~ ELECTRIC PUMP TECHNICAL DATA

Pump model	Motor size	MOTOR NOMINAL POWER		INPUT POWER [kW]	Capacitor 450V μ F	INPUT CURRENT [A] 220-240 V	Dimensions [mm]									Weight [Kg]		
		[kW]	[HP]				A	F	\varnothing B	H	H1	L1	L2	L3	M		N	N1
EH 20/2	90	2.2	3	2.59	60	11.4	144	533	179	231	100	113	173	-	-	-	-	25.2

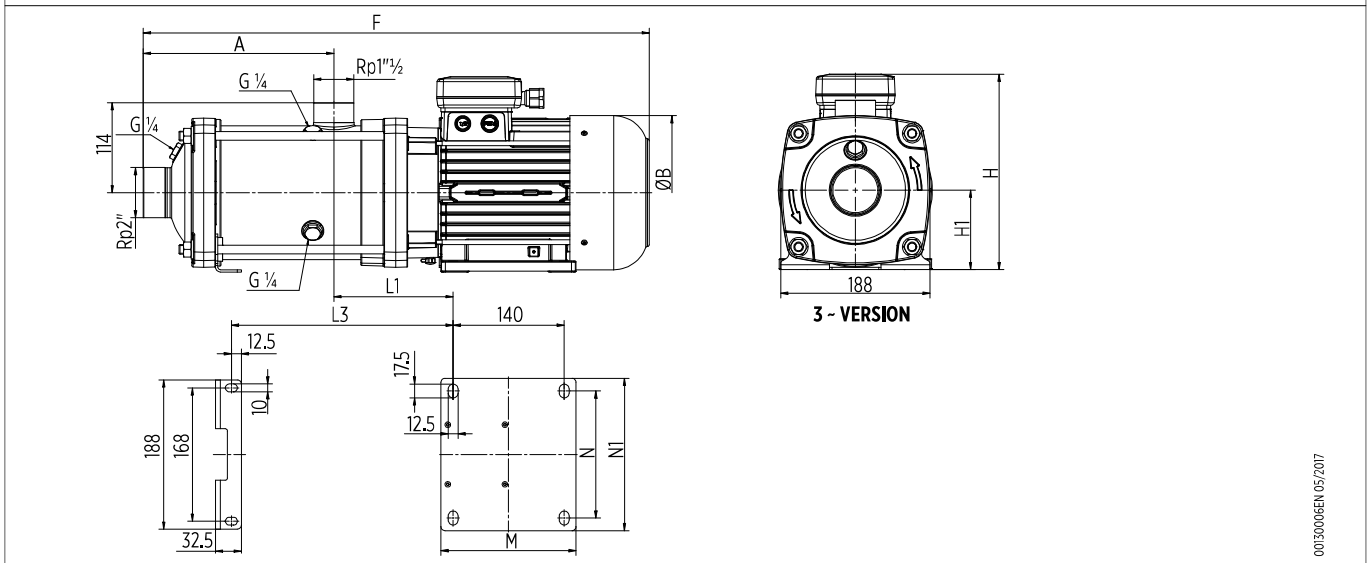
3 ~ ELECTRIC PUMP TECHNICAL DATA

Pump model	Motor size	MOTOR NOMINAL POWER		INPUT POWER [kW]	INPUT CURRENT [A]			Dimensions [mm]									Weight [Kg]		
		[kW]	[HP]		220-240 V	380-415 V	660-690 V	A	F	\varnothing B	H	H1	L1	L2	L3	M		N	N1
EH 20/2T	90	2.2	3	2.29	7.4	4.3	-	144	532	179	231	100	113	173	-	-	-	24.2	
EH 20/3T	90	3	4	3.43	10.3	5.9	-	144	567	179	231	100	113	173	-	-	-	27.2	
EH 20/4T	100	4	5.5	4.53	-	7.7	4.4	192	622	194	246	100	150	-	231	170	160	192	35.8
EH 20/5T	112	5.5	7.5	5.69	-	10.3	6.0	240	684	218	263	112	152	-	281	180	190	220	45

DIMENSIONAL DRAWINGS



00130006EN 05/2017



00130006EN 05/2017



PERFORMANCE CURVES 50 Hz

