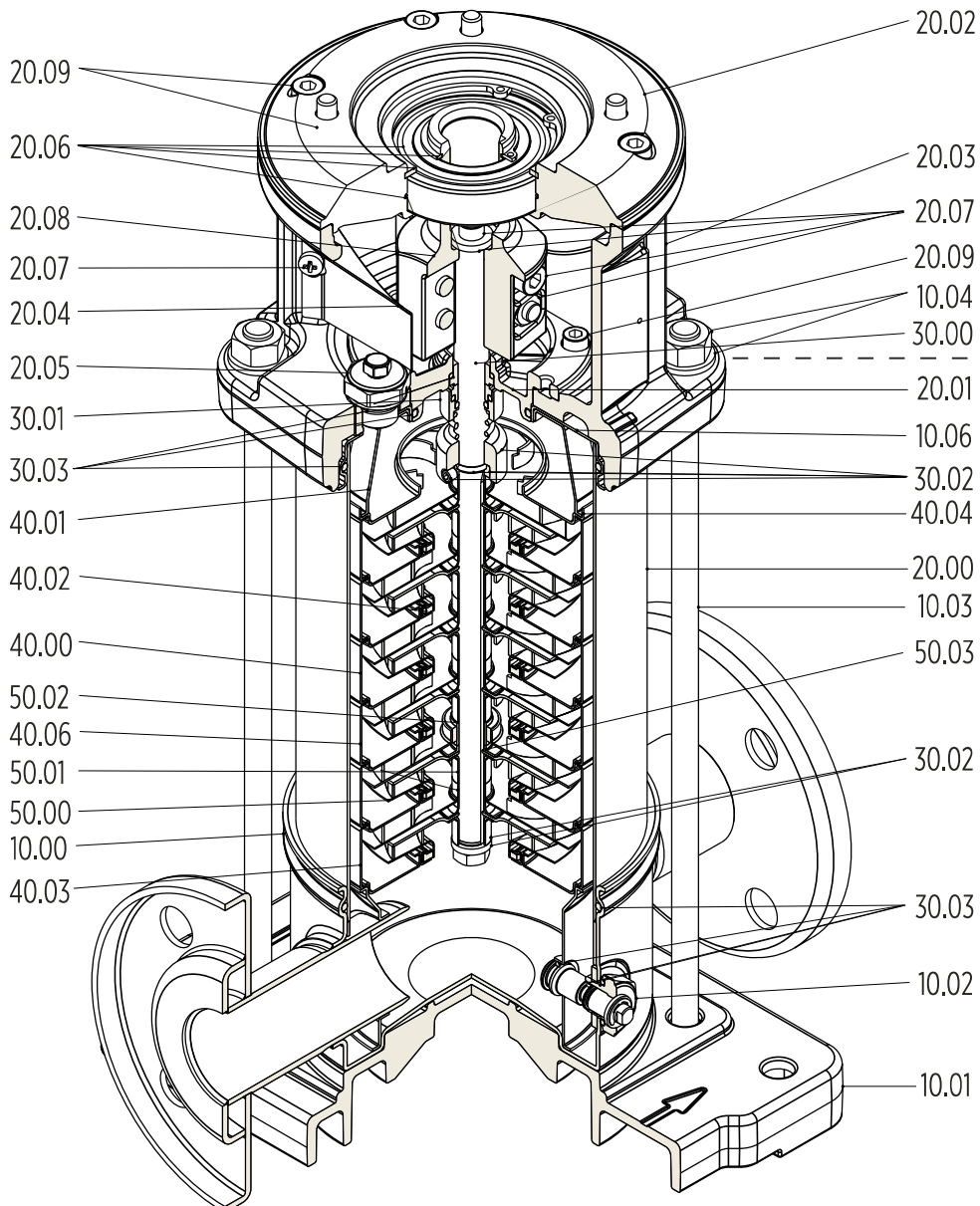
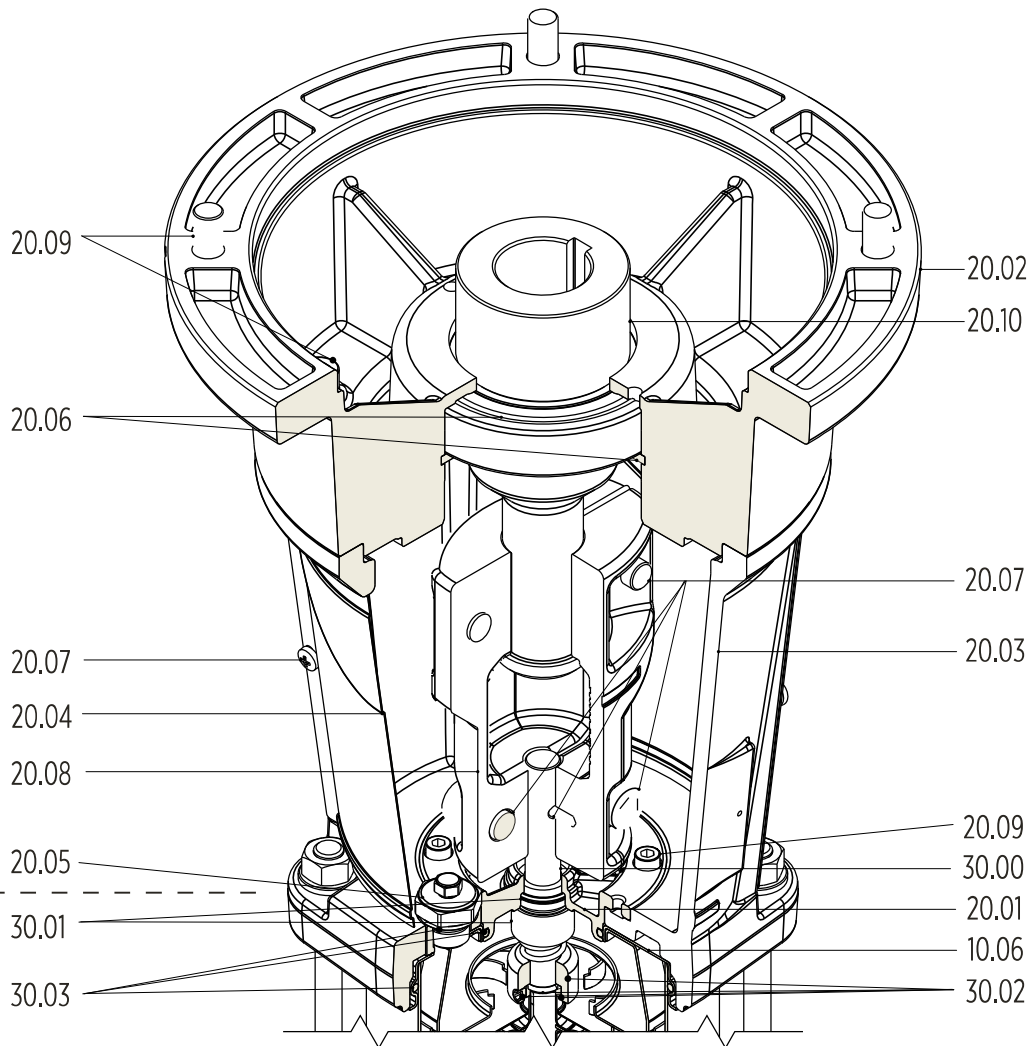


PUMP SECTION AND LIST OF MAIN COMPONENTS

EV 1-3-6-10 (CONFIGURATION UP TO 4 KW)



EV 1-3-6-10 (CONFIGURATION FROM 5.5 KW)

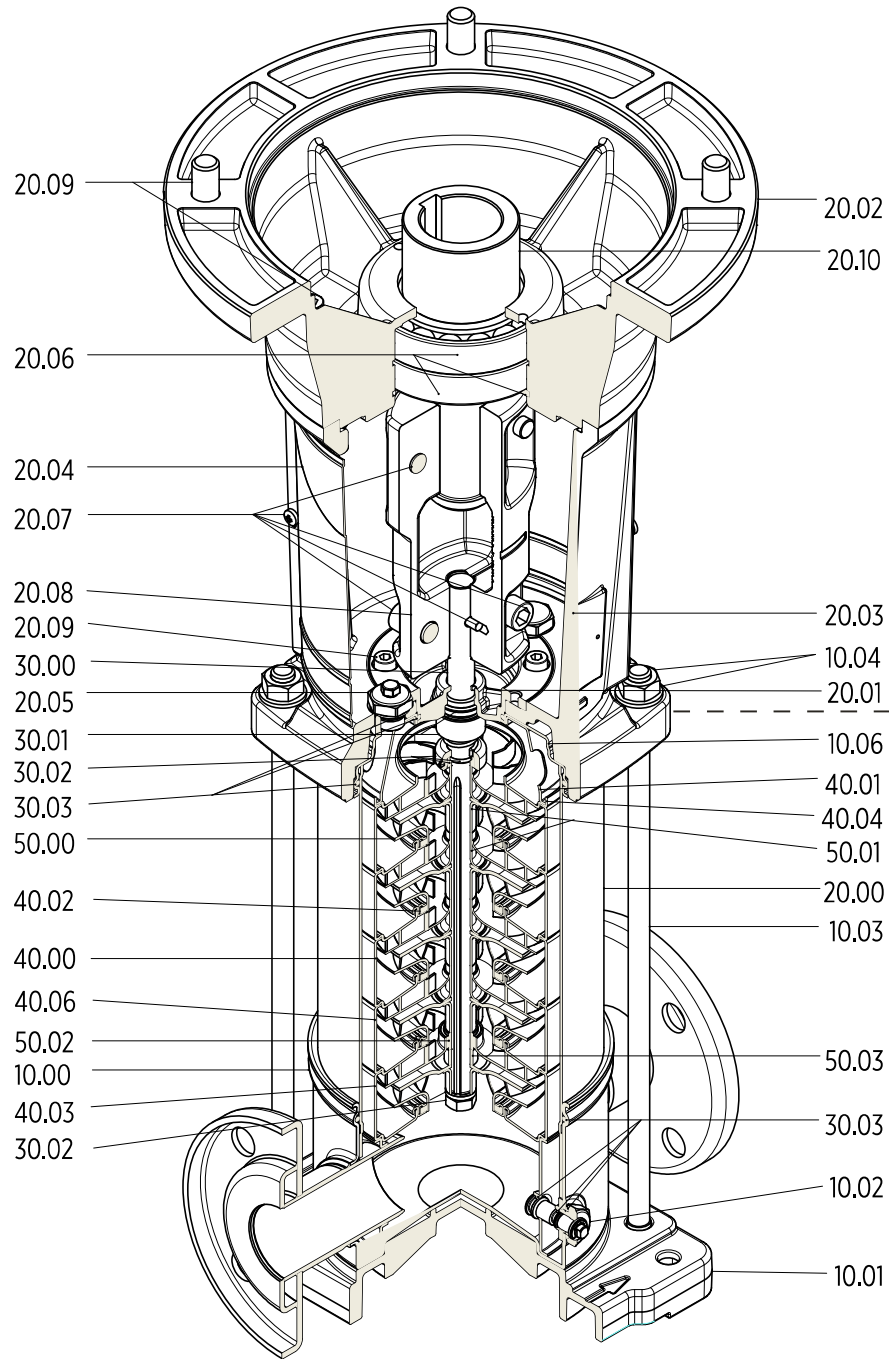


00131010_09/2018

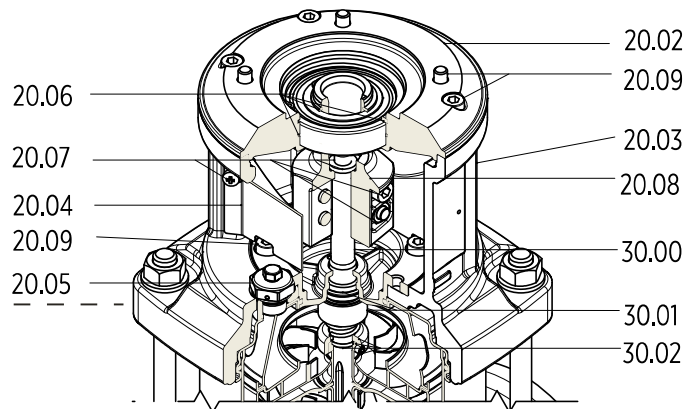
Pos.	Description
10.00	Pump casing
10.01	Pump fixing plate
10.02	Draining plug
10.03	Tie bolt
10.04	Kit nuts and washers
10.06	Upper flange
20.00	Outer Case
20.01	Mechanical seal housing
20.02	Motor flange
20.03	Motor bracket
20.04	Coupling guard
20.05	Filling plugs
20.06	Circlips and bearings, and O-ring
20.07	Coupling fasteners
20.08	Coupling
20.09	Kit motor screws

Pos.	Description
20.10	Motor shaft adapter
30.00	Pump shaft
30.01	Kit Mechanical seal
30.02	Mechanical seal fastening kit
30.03	Kit O-rings
40.00	Stage housing and diffuser
40.01	Stage Centering outlet
40.02	Floating neck ring
40.03	Initial stage housing
40.04	Last stage with diffuser
40.06	Stage housing and diffuser with bearing
50.00	Impeller
50.01	Impeller spacer
50.02	Intermediate sleeve
50.03	Intermediate sleeve spacer

EV 15-20 (CONFIGURATION FROM 5.5 KW)



EV 15-20 (CONFIGURATION UP TO 4 KW)

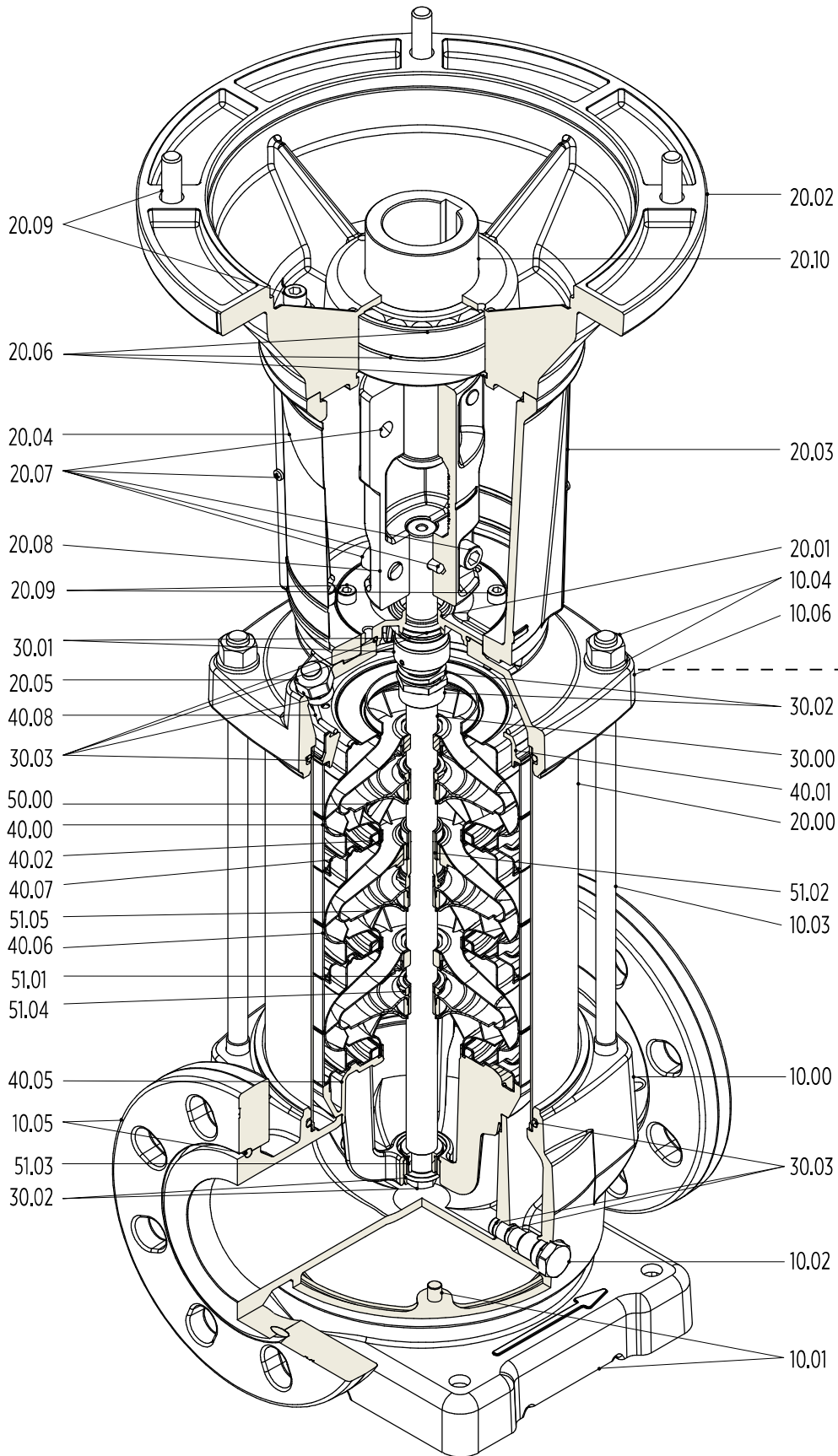


0013011 02/2018

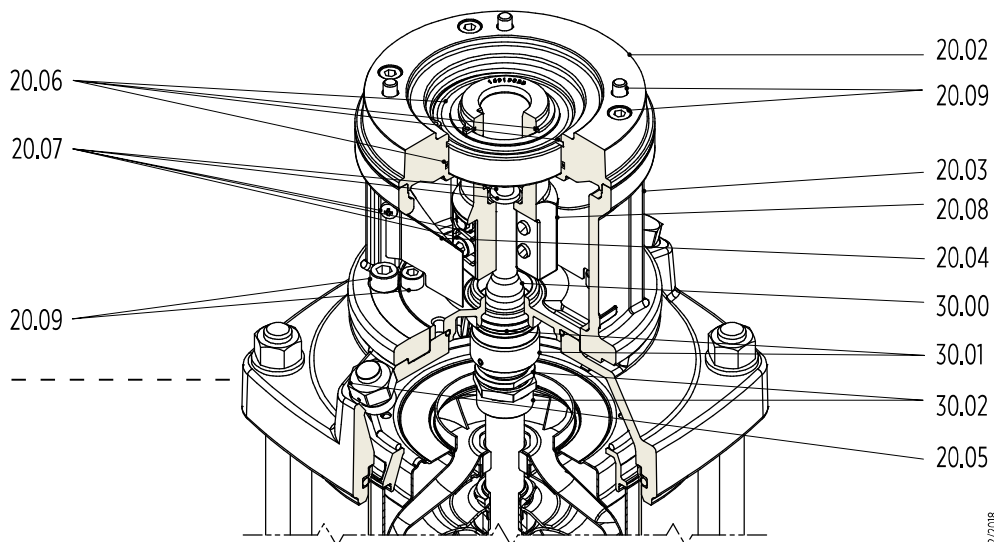
Pos.	Description
10.00	Pump casing
10.01	Pump fixing plate
10.02	Filling and draining plug
10.03	Tie bolt
10.04	Kit nuts and washers
10.06	Upper Flange
20.00	Outer Case
20.01	Mechanical seal housing
20.02	Motor flange
20.03	Motor bracket
20.04	Coupling guard
20.05	Filling plugs
20.06	Circlips and bearings, and O-ring
20.07	Coupling fasteners
20.08	Coupling
20.09	Kit motor screws

Pos.	Description
20.10	Motor shaft adapter
30.00	Pump shaft
30.01	Kit Mechanical seal
30.02	Mechanical seal fastening kit
30.03	Kit O-rings
40.00	Stage housing and diffuser
40.01	Stage Centering outlet
40.02	Floating neck ring
40.03	Initial stage housing
40.04	Last Stage with diffuser
40.06	Stage housing and diffuser with bearing
50.00	Impeller
50.01	Impeller spacer
50.02	Intermediate sleeve
50.03	Intermediate sleeve spacer

EV 30-45-65-95 (CONFIGURATION FROM 5.5 KW)



EV 30-45-65-95 (CONFIGURATION UP TO 4 KW)



8102/2103010

Pos.	Description
10.00	Pump casing
10.01	Pump fixing plate
10.02	Draining plug
10.03	Tie bolt
10.04	Kit nuts and washers
10.05	Kit flanges ring
10.06	Upper Flange
20.00	Outer Case
20.01	Mechanical seal housing
20.02	Motor flange
20.03	Motor bracket
20.04	Coupling guard
20.05	Filling plugs
20.06	Circlips and bearings, and O-ring
20.07	Coupling fasteners
20.08	Coupling
20.09	Kit motor screws
20.10	Motor shaft adapter

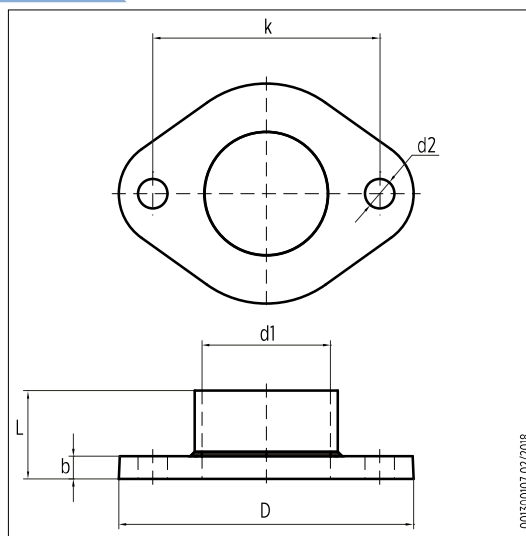
Pos.	Description
30.00	Pump shaft
30.01	Kit Mechanical seal
30.02	Mechanical seal fastening kit
30.03	Kit O-rings
40.00	Stage housing and diffuser
40.01	Stage Centering outlet (only on EV 65/95)
40.02	Floating neck ring
40.05	Stage Centering inlet
40.06	Stage housing and diffuser with bearing
40.07	Flange clamping neck ring
40.08	Spring ring
50.00	Impeller
51.01	Split cone
51.02	Intermediate sleeve nut
51.03	Journal sleeve
51.04	Split cone nut
51.05	Intermediate impeller with screw

DIMENSIONS OF COUNTERFLANGES

OVAL COUNTERFLANGES

DN	DIMENSIONS [mm]					HOLES		PN
	D	d1	k	L	b	d2	N°	
32	99	Rp 1" ¼	75	33	8	11		
		NPT 1" ¼						
40	130	Rp 1" ½	100	35	10	13	2	16
		NPT 1" ½						
50	130	Rp 2"	100	39	10	13	2	16
		NPT 2"						

Kit round counterflanges available on request; AISI 304



001300107 02/2018

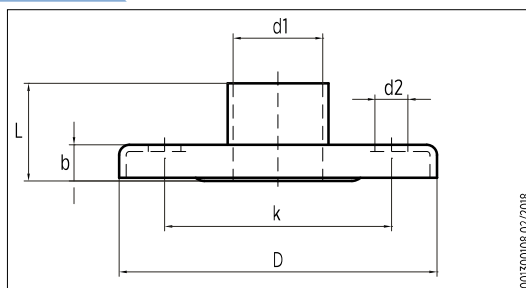
ROUND THREADED COUNTERFLANGES ACCORDING TO EN 1092-1

DN	DIMENSIONS [mm]					HOLES		PN
	D	d1	k	L	b	d2	N°	
25	115	Rp 1"	85	43	16	14	4	25
		NPT 1"						
32	140	Rp 1" ¼	100	43	16	18	4	25
		NPT 1" ¼						
40	150	Rp 1" ½	110	43	18	19	8	25
		NPT 1" ½						
50	165	Rp 2"	127	43	18	19	8	25
		NPT 2"						
65	185	Rp 2" ½	145	32	18	18	8	16
		NPT 2" ½						
80	200	Rp 3"	160	34	20	18	8	16
		NPT 3"						
100	220	Rp 4"	180	40	20	18	8	16
		NPT 4"						

Kit round counterflanges available on request:

DN 25-32-40-50: galvanized steel, AISI 304, AISI 316L

DN 65-80-100: galvanized steel, AISI 316

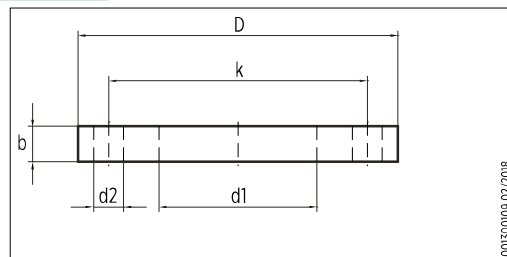


001300108 02/2018

WELDING ROUND COUNTERFLANGES ACCORDING TO EN 1092-1

DN	DIMENSIONS [mm]					HOLES		PN
	D	d1	k	L	b	d2	N°	
65	185	77,5	145		22	18	8	25/40
80	200	90,5	160		24			
100	235	116	190		26			

Kit round counterflanges available on request; AISI 316



001300109 02/2018