

8" STAINLESS STEEL SUBMERSIBLE PUMPS

APPLICATION

- Municipal water works
- Water distribution and pressure boosting
- Irrigation and sprinkler systems, water treatment plants, filtration and reverse osmosis
- Industrial cooling and processing
- Mining industry, drainage and dewatering
- Fire-fighting equipment
- Fountains

FEATURES

- Stainless steel components for durability and robustness, to increase run-time and trouble-free operation. Many design technical features make this pump range very compact and extremely reliable
- External stainless steel sleeve to improve stiffness and assure permanent alignment of all the components
- Motor adapter and discharge head may be removed without disturbing the impeller / diffuser stack
- Built-in check valve and over size pump shaft
- Very compact and extremely reliable to resist to the most complex and severe conditions
- Easy maintenance without the need of special tools

PUMP SPECIFICATION

- Flow: up to 120 m³/h at 50 Hz
- Head: up to 500 m (50 Bar) at 50 Hz
- Water temperature range: Minimum: -5 °C
 Maximum: +60 °C for all versions
- Maximum allowable amount of sand 100 gr/m³
- Rotation: counter clockwise when looking into the discharge
- Pump can work continuously in vertical or horizontal position

MOTOR SPECIFICATION

- Motor adapter in compliance with NEMA standard
- For more information consult the product catalog of Submersible motors

AVAILABLE ON REQUEST

- Pump material: 316 Stainless steel (N) version (DIN/EN 1.4401)
 904L (R) version (DIN/EN 1.4539)
 See specified material variant in Materials/fluids compatibility table on page 50
- Double cable guard
- Discharge head: Rp 4" for I and N versions
 Rp 6" for R version

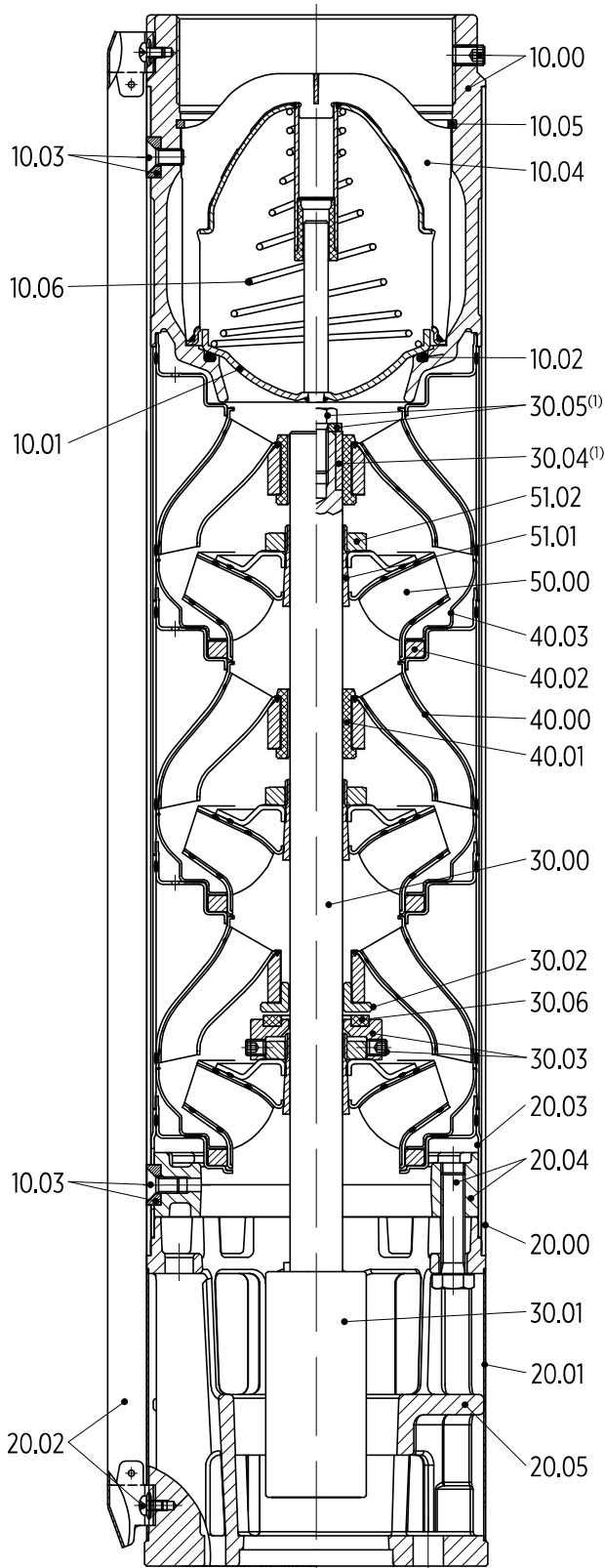
MATERIALS/FLUIDS COMPATIBILITY

Pos.	Parts description	Type	Material					
			I Version		N Version		R Version	
			AISI	DIN / EN	AISI	DIN / EN	AISI	DIN / EN
10.00	Discharge head	Stainless steel	304	1.4301	316	1.4401	904L	1.4517
10.01	Valve	Stainless steel	316	1.4401	316	1.4401	2205	1.4462
10.02	Sealing O-ring	-	NBR		NBR		NBR	
10.03	Outer case locking nuts	Stainless steel	316	1.4401	316	1.4401	2205/904L	1.4462/1.4539
10.04	Valve support	Stainless steel and PTFE	316	1.4401	316	1.4401	904L	1.4539
10.05	Seeger ring	Stainless steel	316	1.4401	316	1.4401	904L	1.4539
10.06	Spring	Stainless steel	316	1.4401	316	1.4401	2205	1.4462
20.00	Outer case	Stainless steel	304	1.4301	316	1.4401	2205	1.4462
20.01	Suction strainer	Stainless steel	316	1.4401	316	1.4401	904L	1.4539
20.02	Cable guard	Stainless steel	316	1.4401	316	1.4401	904L	1.4539
20.03	Initial spacer	Stainless steel	316	1.4401	316	1.4401	904L	1.4539
20.04	Flange and screws	Stainless steel	304	1.4301	316	1.4401	904L	1.4517/1.4539
20.05	Motor adapter	Stainless steel	304	1.4301	316	1.4401	904L	1.4517
30.00	Pump shaft	Stainless steel	329	1.4460	329	1.4460	329	1.4460
30.01	Coupling	Stainless steel	431/ 329	1.4057/ 1.4460	316/ 329	1.4401/ 1.4460	2205/ 904L	1.4462/ 1.4539
30.02	Upper up-thrust washer	Stainless steel	329	1.4460	329	1.4460	329	1.4460
30.03	Lower up-thrust washer	Stainless steel	329	1.4460	329	1.4460	329	1.4460
30.04	Upper journal sleeve ⁽¹⁾	Stainless steel with ceramic casting	-	-	-	-	-	-
30.05	Screw and washer	Stainless steel	316	1.4401	316	1.4401	904L/329	1.4539/1.4460
30.06	Up-thrust ring	PTFE + Graphite	-	-	-	-	-	-
40.00	Diffuser	Stainless steel	304	1.4301	316	1.4401	904L	1.4539
40.01	Secondary bearing bush	-	NBR		NBR		NBR	
40.02	Floating neck ring	PTFE	-	-	-	-	-	-
40.03	Flange clamping neck ring	Stainless steel	316	1.4401	316	1.4401	904L	1.4539
50.00	Impeller	Stainless steel	316	1.4401	316	1.4401	904L	1.4539
50.01	Split cone	Stainless steel	316	1.4401	316	1.4401	329	1.4460
50.02	Split cone nut	Stainless steel	316	1.4401	316	1.4401	329	1.4460

1) Only for models with more than 8 stages

VS 78-97

PUMP SECTION AND LIST OF MAIN COMPONENTS



Ref. N.	Description
10.00	Discharge head
10.01	Valve
10.02	Sealing O-ring
10.03	Outer case locking nuts
10.04	Valve support
10.05	Seeger ring
10.06	Spring
20.00	Outer case
20.01	Suction strainer
20.02	Cable guard
20.03	Initial spacer
20.04	Flange
20.05	Motor adapter
30.00	Pump shaft
30.01	Coupling
30.02	Upper up-thrust washer
30.03	Lower up-thrust washer
30.04 ⁽¹⁾	Upper journal sleeve
30.05 ⁽¹⁾	Screw and washer
30.06	Up-thrust ring
40.00	Diffuser
40.01	Secondary bearing bush
40.02	Floating neck ring
40.03	Flange clamping neck ring
50.00	Impeller
51.01	Split cone
51.02	Split cone nut

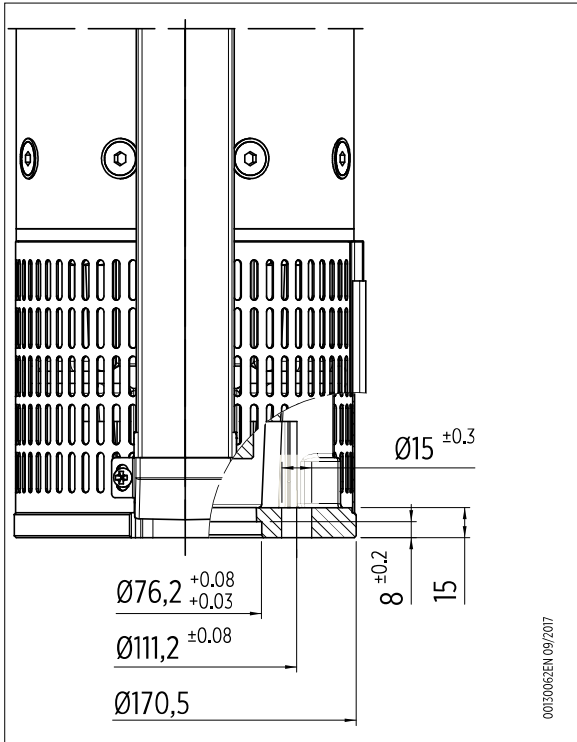
¹⁾ only for types with more than 8 stages

00130061 09/2017

VS 78-97 MOTOR ADAPTER AND DIMENSIONS

APPENDIX B

4" MOTOR ADAPTER FOR I AND N VERSION



6" MOTOR ADAPTER FOR I, N AND R VERSION

