

6" STAINLESS STEEL SUBMERSIBLE PUMPS

APPLICATION

- Municipal water works
- Water distribution and pressure boosting
- Irrigation and sprinkler systems, water treatment plants, filtration and reverse osmosis
- Industrial cooling and processing
- Mining industry, drainage and dewatering
- Fire-fighting equipment
- Fountains

FEATURES

- Fabricated stainless steel impellers and diffusers for corrosion resistance
- Heavy duty stainless steel structure to assure permanent alignment of all the components in order to increase run time and trouble-free operation
- PTFE floating neck ring, ceramic guide journal sleeve (tungsten-carbide on request) and Nitrile rubber fluted bearing to ensure durability against wear for long-lasting constant performances and product reliability
- Compact, reliable and suited to operate in horizontal position
- Built-in check valve to protect the pump against water hammer risk
- External stainless steel sleeve to improve stiffness and assure permanent alignment of all the components
- Radial models with double reinforcement rings and mix-flow models longer than 3 m are equipped with tungsten-carbide (widia) upper journal sleeve and with an intermediate tungsten-carbide (widia) journal sleeve plus special intermediate split cone nut
- The hydraulic design is such to enhance the overall efficiency thus reducing energy consumption and making the pumping systems more cost effective

PUMP SPECIFICATION

- Flow: up to 80 m³/h at 50 Hz
- Head: up to 700 m (70 Bar) at 50 Hz
- Water temperature range: Minimum: -5 °C
Maximum: +60 °C for I (AISI304) version / +90 °C for N (AISI316) and R (904L) versions
- Maximum allowable amount of sand 100 gr/m³
- Rotation: counter clockwise when looking into the discharge
- Pump can work continuously in vertical or horizontal position

MOTOR SPECIFICATION

- Motor adapter in compliance with NEMA standard
- For more information consult the product catalog of Submersible motors

PUMP IDENTIFICATION CODE

VS 6 78 / 15 I M8 Rp5 5505 / 9306 B1 P HP SD

- Pump speciality: P (Passivated); T (High temperature); HP (High pressure); SD (Double cable guard)
- Bearing bush material: B1 (NBR); VI: FKM
- Pump power at 60Hz
- Pump power at 50Hz
- Discharge head (threaded type and dimension): Rp(X); NPT(X)
- Motor coupling dimension: M4 (4"); M6 (6"); M8 (8")
- Material: I (AISI304); N (AISI316); R (AISI904L)
- Number of stages
- Nominal flow in m³/h
- Pump size 6: 6"
- Pump model

0014/001EN 08/2017

PUMPS AND MOTORS RANGE

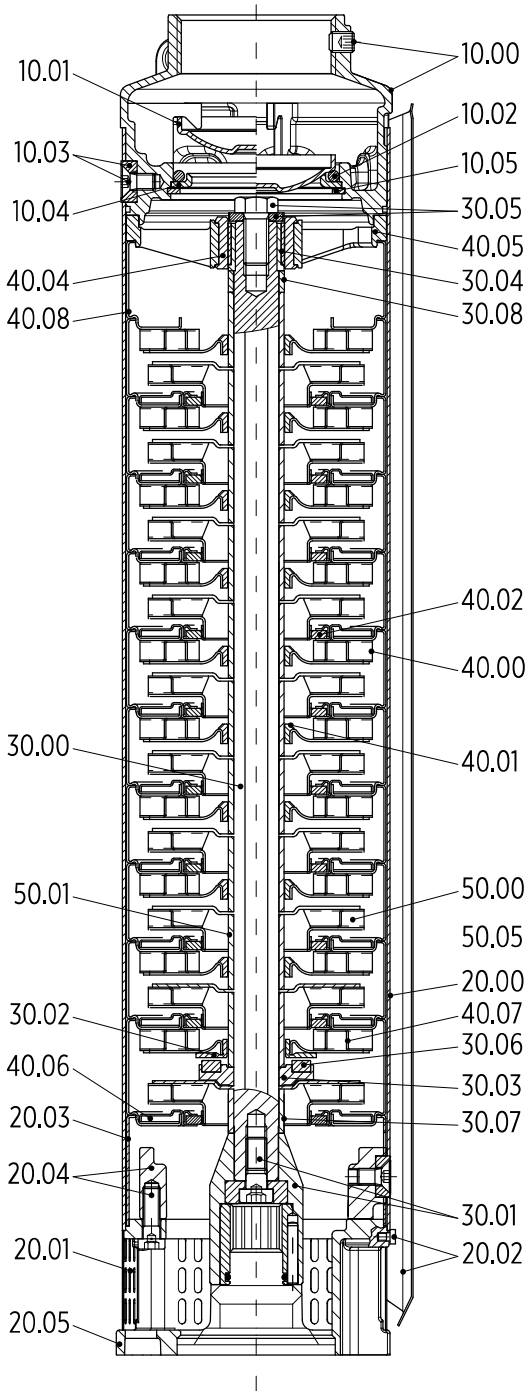
Type	Versions			Motor power range [kW]	
	I EN 1.4301	N EN 1.4401	R EN 1.4539	I e N	R
	VS14	○	○	-	4 ÷ 30
VS19	○	○	-	4 ÷ 37	-
VS25	○	○	-	4 ÷ 45	-
VS30	○	○	●	3 ÷ 55	4 ÷ 37
VS46	○	○	●	3,7 ÷ 55	4 ÷ 37
VS65	○	○	●	3,7 ÷ 55	4 ÷ 37

MATERIALS/FLUIDS COMPATIBILITY

Pos.	Parts description	Type	Material					
			I Version		N Version		R Version	
			AISI	DIN / EN	AISI	DIN / EN	AISI	DIN / EN
10.00	Discharge head	Stainless steel	304	1,4301	316	1,4401	904L	1,4517
10.01 10.04 10.05	Valve	Stainless steel	316	1,4401	316	1,4401	2205/904L	1,4462/1,4460
10.02	Sealing O-ring	-	NBR		HNBR		HNBR	
10.03	Outer case locking nuts	Stainless steel	316	1,4401	316	1,4401	2205	1,4462
20.00	Outer case	Stainless steel	304	1,4301	316	1,4401	2205	1,4462
20.01	Suction strainer	Stainless steel	316	1,4401	316	1,4401	904L	1,4539
20.02	Cable guard	Stainless steel	316	1,4401	316	1,4401	904L	1,4539
20.03	Initial spacer	Stainless steel	304	1,4301	316	1,4401	904L	1,4539
20.04	Flange and screws	Stainless steel	304	1,4301	316	1,4401	904L	1,4517/1,4539
20.05	Motor adapter	Stainless steel	304	1,4301	316	1,4401	904L	1,4517
30.00	Pump shaft	Stainless steel	431	1,4057	316/329	1,4401/1,4460	329	1,4460
30.01	Coupling	Stainless steel	431/329	1,4057/1,4460	316/329	1,4401/1,4460	904L/329	1,4462/1,4539/ 1,4460
30.02 30.03	Upper / Lower up-thrust washer	Stainless steel	316	1,4401	316	1,4401	329	1,4460
30.04	Upper journal sleeve	Stainless steel with ceramic coating	329	1,4460	329	1,4460	329	1,4460
30.05	Screw and washer	Stainless steel	316	1,4401	316	1,4401	904L/329	1,4539/1,4460
30.06	Up-thrust ring	PTFE + Graphite	-	-	-	-	-	-
30.07 30.08	Lower / Upper spacer	Stainless steel	316	1,4401	316	1,4401	-	-
40.00	Diffuser	Stainless steel	304	1,4301	316	1,4401	904L	1,4539
40.01	Secondary bearing bush	-	NBR		HNBR		HNBR	
40.02	Floating neck ring	PTFE	-	-	-	-	-	-
40.03	Flange clamping neck ring	Stainless steel	304	1,4301	316	1,4401	904L	1,4539
40.04	Bearing bush	-	NBR		HNBR		HNBR	
40.05	Last - int. diffuser / Upper bearing guide	Stainless steel	316	1,4401	316	1,4401	904L	1,4539
40.06 40.07 40.08	First / Last diffuser	Stainless steel	316	1,4401	316	1,4401	-	-
50.00 50.05	Impeller / Wear ring	Stainless steel	304	1,4301	316	1,4401	904L	1,4539
51.01	Split cone / Impeller spacer	Stainless steel	316	1,4401	316	1,4401	329	1,4460
51.02 51.03	Split cone nut / Intermediate cone nut	Stainless steel	316	1,4401	316	1,4401	329	1,4460
51.04	Up-thrust split cone nut	Stainless steel	316	1,4401	316	1,4401	329	1,4460
51.06	Intermediate impeller with screw	Stainless steel	304	1,4301	316	1,4401	904L	1,4539

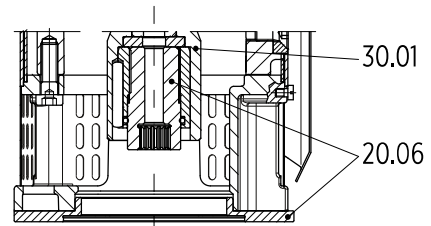
VS 14-19

PUMP SECTION AND LIST OF MAIN COMPONENTS



Ref. N.	Description
10.00	Discharge head and screw
10.01	Valve
10.02	O-ring
10.03	Screws and outer case locking nuts
10.04	Valve support
10.05	Seeger ring
20.00	Outer case
20.01	Suction strainer
20.02	Cable guard and screws
20.03	Initial spacer
20.04	Flange and bolts
20.05	Motor adapter
20.06	4" motor flange / coupling adapter
30.00	Pump shaft
30.01	Coupling
30.02	Upper up-thrust washer
30.03	Lower up-thrust washer
30.04	Upper journal sleeve
30.05	Screw and washer
30.06	Up-thrust ring
30.07	Lower spacer
30.08	Upper spacer
40.00	Diffusers
40.01	Secondary bearing bush
40.02	Floating neck ring
40.04	Bearing bush
40.05	Upper bearing guide
40.06	First diffuser
40.07	Diffuser with upper up-thrust washer
40.08	Last diffuser
50.00	Impeller
50.01	Impeller spacer
50.05	Wear ring

MOTOR ADAPTER 6x4

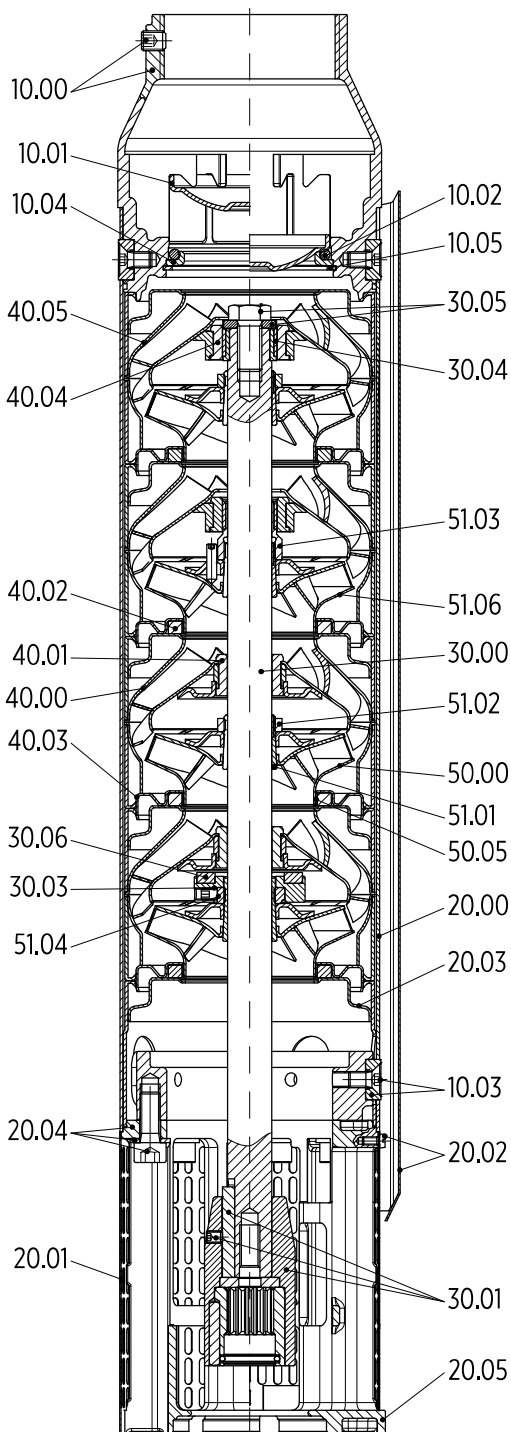


0013004MEN 08/2017

0013004MEN 08/2017

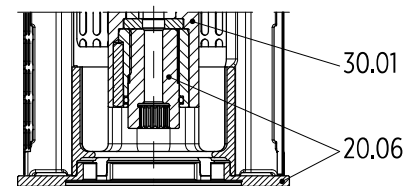
VS 30-46-65

PUMP SECTION AND LIST OF MAIN COMPONENTS

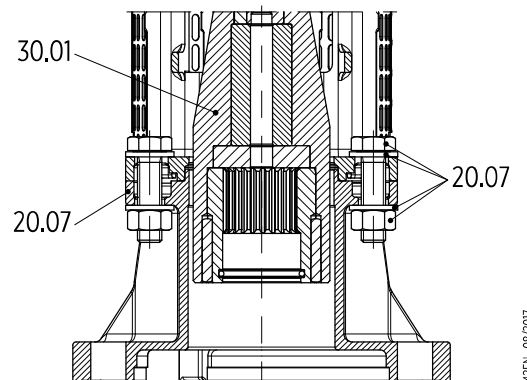


Ref. N.	Description
10.00	Discharge head and screw
10.01	Valve
10.02	O-ring
10.03	Screws and outer case locking nuts
10.04	Valve support
10.05	Seeger ring
20.00	Outer case
20.01	Suction strainer
20.02	Cable guard and screws
20.03	Initial spacer
20.04	Flange and bolts
20.05	Motor adapter
20.06	4" motor flange / coupling adapter
20.07	8" motor adapter / bolts and washer
30.00	Pump shaft
30.01	Coupling
30.03	Lower up-thrust washer
30.04	Upper journal sleeve
30.05	Screw and washer
30.06	Up-thrust ring
40.00	Diffusers
40.01	Secondary bearing bush
40.02	Floating neck ring
40.03	Flange clamping neck ring
40.04	Bearing bush
40.05	Last / intermediate diffuser
50.00	Impeller
51.01	Split cone
51.02	Split cone nut
51.03	Intermediate split cone nut
51.04	Up-thrust split cone nut
51.05	Wear ring
51.06	Intermediate impeller with screw

MOTOR ADAPTER 6x4



MOTOR ADAPTER 6x8



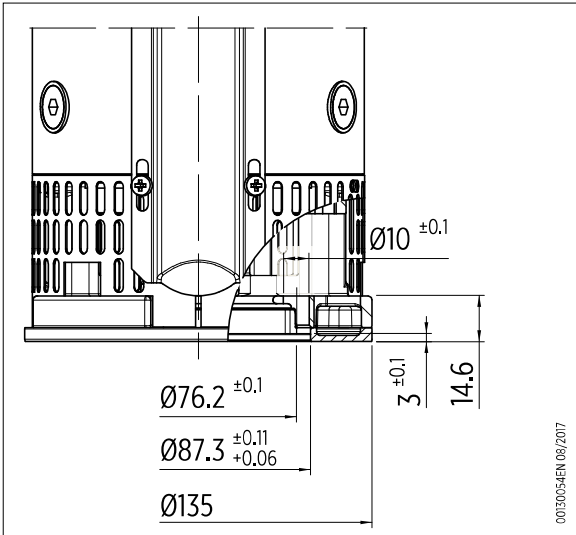
003004ZEN 08/2017

003004ZEN 08/2017

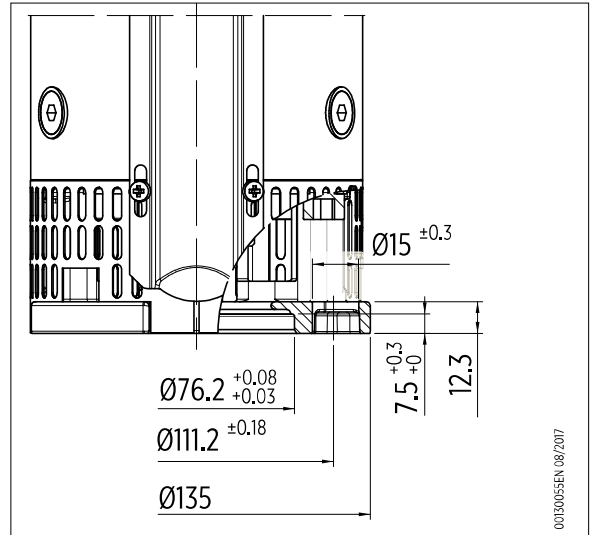
VS 14-19 MOTOR ADAPTER AND DIMENSIONS

APPENDIX A

4" MOTOR ADAPTER FOR I AND N VERSION



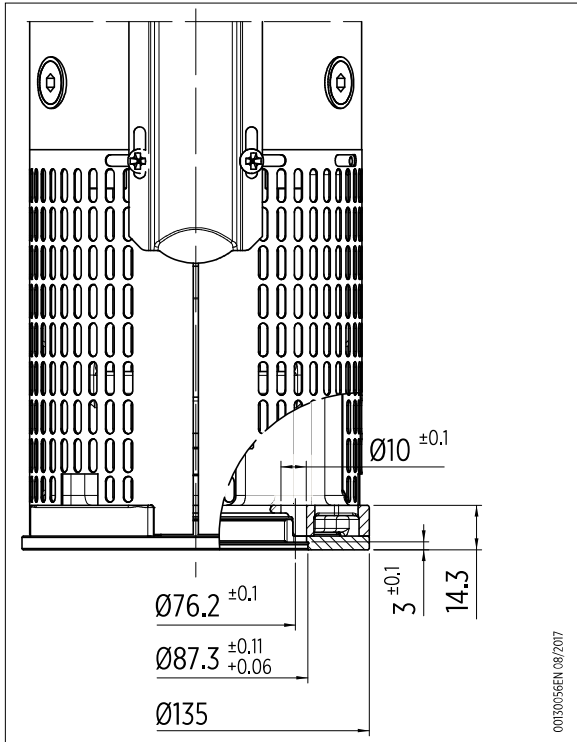
6" MOTOR ADAPTER FOR I AND N VERSION



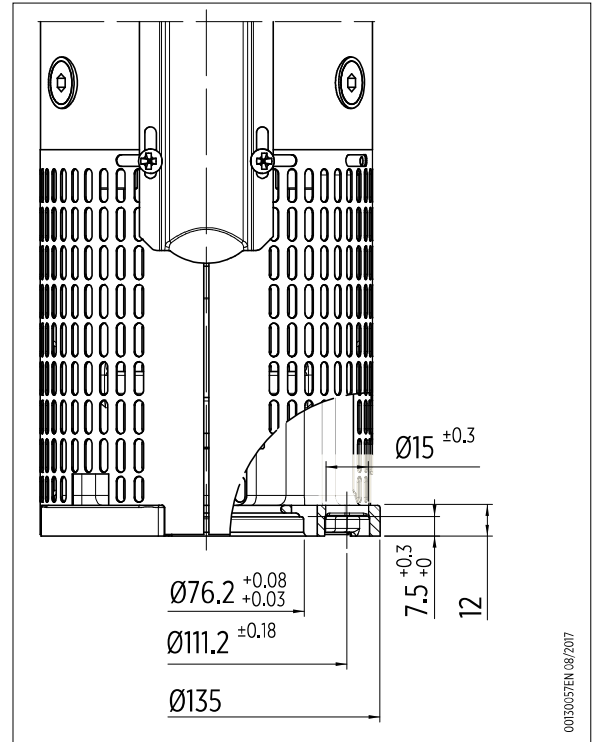
VS 30-46-65 MOTOR ADAPTER AND DIMENSIONS

APPENDIX A

4" MOTOR ADAPTER FOR I AND N VERSION



6" MOTOR ADAPTER FOR I, N AND R VERSION



8" MOTOR ADAPTER FOR I AND N VERSION

